

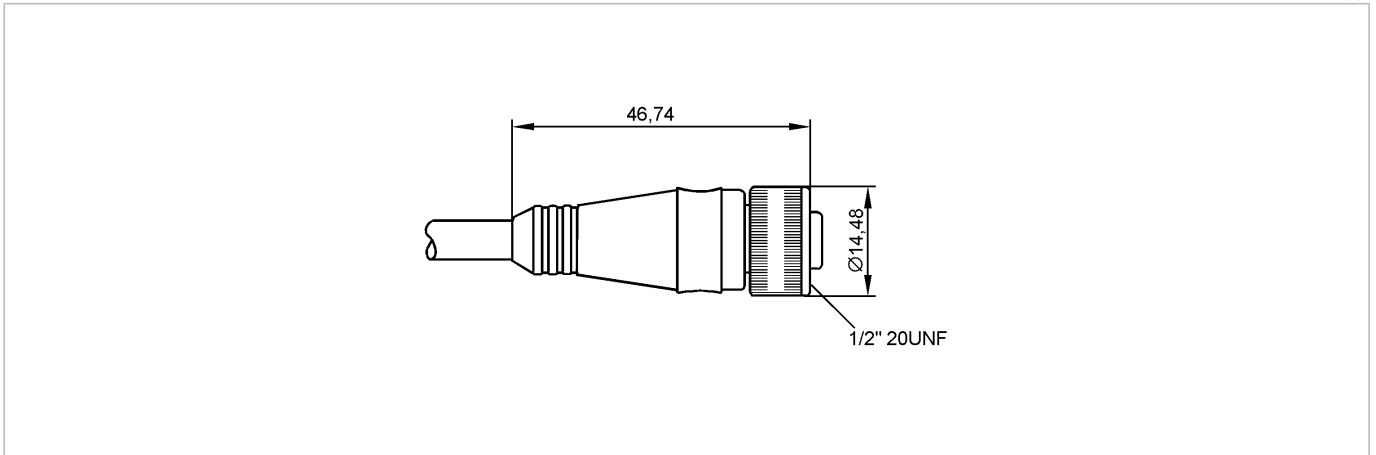
no longer available - archive entry

ecomat 400

W80171



Connection technology



Product characteristics

Socket

For sensors with

1/2" connector

Electrical data

Electrical design

AC/DC

Operating voltage [V]

300 AC/DC

Environment

Ambient temperature [°C]

-20...105

Protection

IP 68

Mechanical data

Design

straight

Material body

PUR

Material nut

zinc; epoxy coated

Electrical connection

Connection

PUR cable / 3.66 m; 3 x AWG 22 (3 x 0.34 mm²); Ø 7.37 mm

Sheath color

yellow

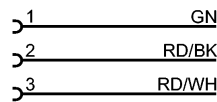
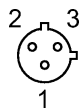
Wiring

Core colors

GN green

RD/BK red/black

RD/WH red/white



Remarks

Pack quantity

[piece]

1

ifm efector, inc. • 1100 Atwater Drive • Malvern • PA 19355 — We reserve the right to make technical alterations without prior notice. — US — W80171 — 12.12.2005

no longer available - archive entry