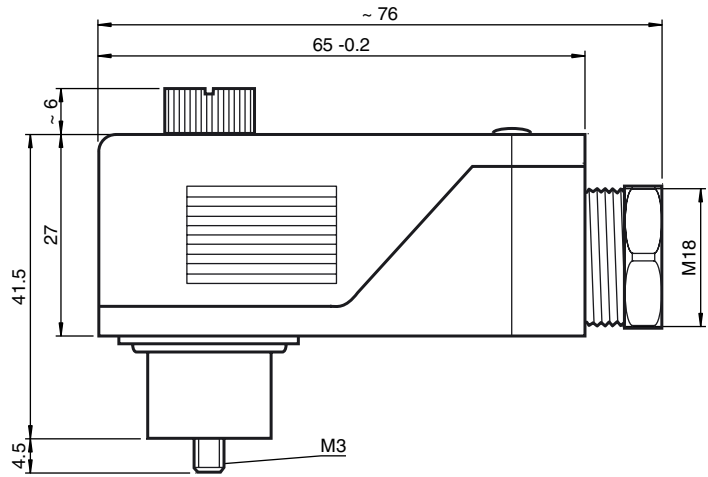




**Dimensions**



**Model Number**

**V-W**

Cable socket, central screw, 4-pin+PE, ready for assembly

**Features**

- Gold plated contacts
- Center screw

**Technical data**

**General specifications**

Number of poles	4 + PE
Connection 1	Connector, female
Construction type 1	angled

**Electrical specifications**

Operating voltage	max. 250 V
Operating current	max. 10 A

**Mechanical specifications**

Protection degree	IP65
Connection	screw terminal for max. 1.5 mm <sup>2</sup> PG 13.5 cable gland
Cable	
Sheath diameter	6 ... 8 mm

**Electrical connection**

