

no longer available - archive entry Alternative article: VSA001+VSE002 or VNB001
 When selecting an alternative article and accessories please note that technical data may differ!

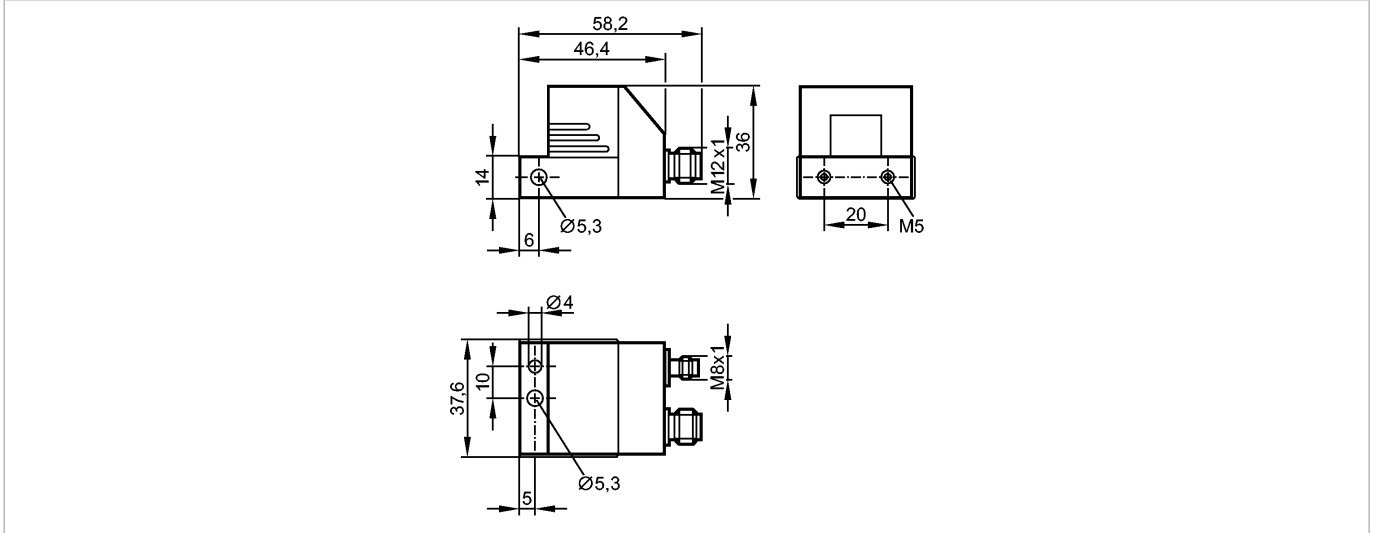
efector800

VE1102



VIBRATION DIAGNOSTIC UNIT

Diagnostic systems



Product characteristics

Vibration diagnostic unit

Connection via M12 x 1 and M8 x 1 connectors

Spectral analysis / FFT

Envelope-curve FFT

Trend analysis

Application

Application Up to 20 frequencies in the spectrum, freely selectable, diagnostic level adjustable

Electrical data

Electrical design DC PNP

Operating voltage [V] 10...32 DC

Current consumption [mA] 100 (24 V) plus optional external pulse pick-up

Protection class III

Measuring / setting range

value range [g] ± 25 (**)

Environment

Ambient temperature [°C] -30...75

Protection IP 69K

Tests / approvals

EMC IEC 1000-4-2/3/4/6

Mechanical data

Housing materials housing: diecast zinc nickel-plated

Overload protection [g] 100

Weight [kg] 0.236

Electrical connection

Connection M12 connector; M8 connector

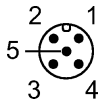
Wiring

Plug M8 (RS485 communication)



Pin 1: -
 Pin 2: B
 Pin 3: -
 Pin 4: A

VE1102 - Vibration diagnostic unit - eclass: 27201406 / 27-20-14-06



M12 connector (electrical connection)
 Pin 1: supply +
 Pin 2: red function; switching output 2 / 100 mA / NO/NC programmable
 Pin 3: supply -
 Pin 4: yellow function; switching output 1 / 100 mA / NO/NC programmable
 Pin 5: rotational speed, 0...20 mA or pulse input

Remarks

Remarks

**) nominal ± 20

Pin 2 (switching output 2) and pin 4 (switching output 1) can only be programmed in pairs

Pack quantity [piece]

1

Other data

Sensing principle

micromechanical accelerometer / capacitive measuring principle / one measurement axis

Minimum measuring time [s]

8

Frequency range [Hz]

0.125...500

Spectral resolution [Hz]

0.125

Speed range [rpm]

12...1500 (the actual rotational speed range depends on the type of the rolling element bearing and can therefore differ)

ifm efector, inc. • 1100 Atwater Drive • Malvern • PA 19355 — We reserve the right to make technical alterations without prior notice. — US — VE1102 — 07.04.2006

no longer available - archive entry Alternative article: VSA001+VSE002 or VNB001

When selecting an alternative article and accessories please note that technical data may differ!