

no longer available - archive entry replaced by: VNB001

This is NOT a direct replacement. Please note programming differences.

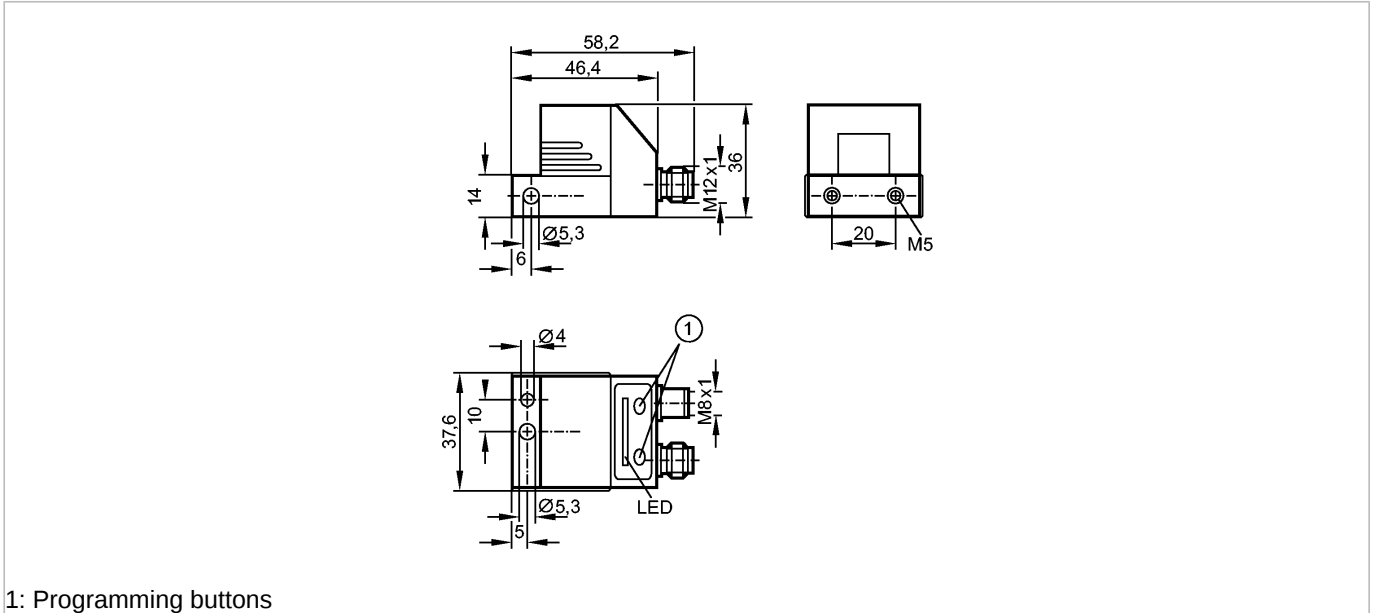
**efector800**

VE1001



VIBRATION DIAGNOSTIC UNIT

Diagnostic systems



1: Programming buttons



Product characteristics

Vibration sensor

VE

Connection via M12 x 1 and M8 x 1 connectors

Spectral analysis / FFT

Envelope-curve FFT

Peak

V eff RMS

Trend analysis

Application

Application

Vibration monitoring of up to 5 diagnosis values and 2 g-monitors

Electrical data

Operating voltage [V]

10...32 DC

Current consumption [mA]

100 (24 V) plus optional external pulse pick-up

Protection class

III

Measuring / setting range

Measuring principle

capacitive

Measuring range [g]

± 25 \*\*)

Speed range [1/min]

12...1500 / 120...12000

Frequency range [Hz]

0.125...500 / 3...6000 \*\*\*)

Minimum measuring time [s]

0.8

Accuracy / deviations

Spectral resolution [Hz]

0.125

Software / programming

History memory

2580 data sets as ring buffer

Environment

Ambient temperature [°C]

-30...60

Protection

IP 67

Tests / approvals

EMC

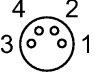
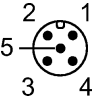
IEC 1000-4-2/3/4/6

MTTF [Years]

275

Mechanical data

**VE1001 - Vibration sensor - eclass: 27201406 / 27-20-14-06**

Type of sensor	micromechanical accelerometer
Number of measurement axes	1
Mechanical overload resistance [g]	100
Housing materials	housing: diecast zinc nickel-plated; keypad: polyester
Weight [kg]	0.221
Electrical connection	
Connection	M12 connector; M8 connector
<b>Wiring</b>	
M8 connector (RS-232 communication)	
	Pin 1: - Pin 2: TxD Pin 3: GND Pin 4: RxD
	M12: Pin 1: supply + Pin 2: Switching output 2 normally open / closed programmable Pin 3: supply - Pin 4: Switching output 1 normally open / closed programmable Pin 5: rotational speed signal input
Remarks	
Remarks	**) nominal $\pm 20$ ***) depending on the configuration Pin 2 (switching output 2) and pin 4 (switching output 1) can only be programmed in pairs
Pack quantity [piece]	1

ifm efector, inc. • 1100 Atwater Drive • Malvern • PA 19355 — We reserve the right to make technical alterations without prior notice. — US — VE1001 — 30.08.2012  
 no longer available - archive entry replaced by: VNB001  
 This is NOT a direct replacement. Please note programming differences.