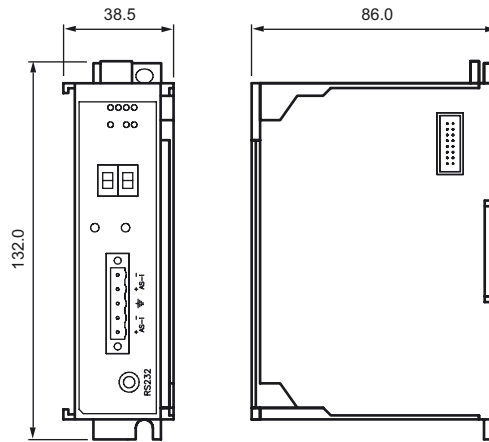




Dimensions



Model number

VBM-MLX/CPLX

AS-Interface scanner for CompactLogix or MicroLogix 1500 PLC

Features

- Gateway compliant with AS-Interface specification 3.0
- Commissioning, locally on the gateway or via AS-i Control Tools software
- AS-Interface scanner for CompactLogix or MicroLogix 1500 PLC

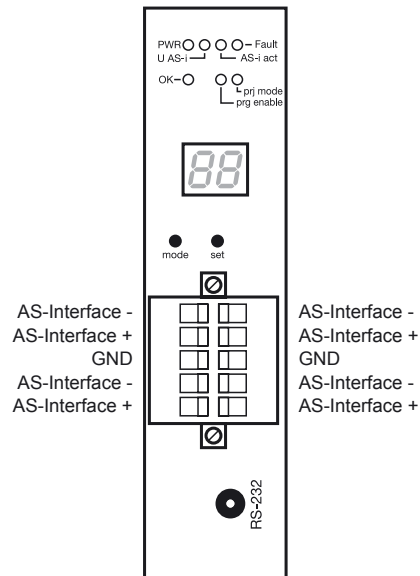
Accessories

K-ADP2 RPI

VAZ-SW-DIAGNOSTIC

Software for diagnostics, servicing, and final measurement of AS-Interface installations for all K20 and K30-type masters

Electrical connection



Technical data

General specifications

AS-Interface specification	V3.0
PLC-Functionality	none
Description	AS-Interface scanner for CompactLogix or MicroLogix 1500 PLC

Functional safety related parameters

MTTF _d	140 a at 30 °C
-------------------	----------------

Indicators/operating means

Display	LC display
LED SYS	LED green: Power on
LED OK	LED green: AS-Interface network running normally; LED green flashing: Configuration mode; LED red flashing: Peripheral fault; LED red: Configuration error;
LED AS-i ACTIVE	LED green: AS-Interface running normally

Release date: 2016-01-21 14:47 Date of issue: 2016-01-21 12:49:59_eng.xml

Refer to "General Notes Relating to Pepperl+Fuchs Product Information".

Pepperl+Fuchs Group
www.pepperl-fuchs.com

USA: +1 330 486 0001
fa-info@us.pepperl-fuchs.com

Germany: +49 621 776 4411
fa-info@de.pepperl-fuchs.com

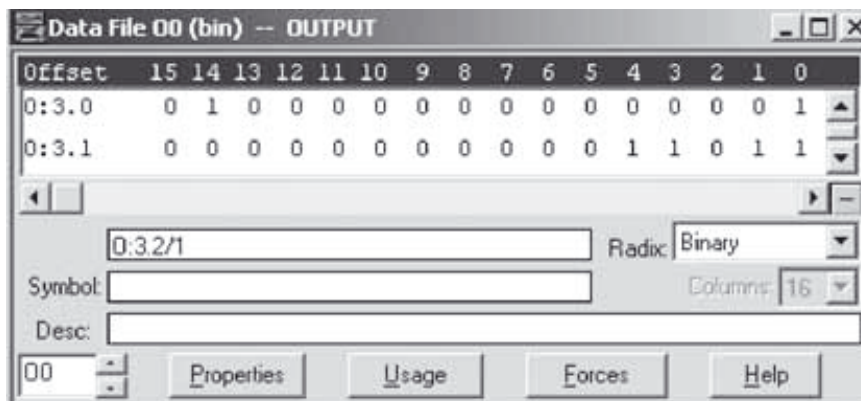
Singapore: +65 6779 9091
fa-info@sg.pepperl-fuchs.com

LED PWR		LED green: Power on
LED PRG ENABLE		autom. programming; LED green
LED PRJ MODE		projecting mode active; LED yellow
LED U AS-i		AS-Interface voltage; LED green
Switch SET		Selection and setting of a slave address
Button MODE		Mode selection PRJ-operation/save configuration/cursor
Electrical specifications		
Insulation voltage	U_i	≥ 500 V
Capacity factor		Power supply rating of 4 Cannot be farther then 4 cards from main processor or power supply
Rated operating voltage	U_e	from backplane
Rated operating current	I_e	100 mA from AS-Interface 450 mA from backplane
Interface		
Protocol		MicroLogix 1500 or CompactLogix backplane
Interface 2		
Interface type		RS 232, serial
Connection		
AS-Interface		double row terminals, removable
Ambient conditions		
Ambient temperature		0 ... 55 °C (32 ... 131 °F)
Storage temperature		-25 ... 85 °C (-13 ... 185 °F)
Mechanical specifications		
Degree of protection		IP20
Mass		420 g
Construction type		Mounting into the backplane of a MicroLogix 1500 or CompactLogix PLC
Compliance with standards and directives		
Standard conformity		
Electromagnetic compatibility		EN 61000-6-2:2005, EN 61000-6-4:2001, EN 50295:1999
AS-Interface		EN 50295
Degree of protection		EN 60529
Shock and impact resistance		EN 61131-2

Notes

DATA MAPPING – SLC500

The Compact I/O-Scanner works with the MicroLogix 1500 or the CompactLogix



Example of an RS Logix 5000 screen capture for MicroLogix 1500 mapping (third card)

MAPPING DATA

Address 1/1A outputs 1-4 O:3.0/8 - O:3.0/11	Address 5/5A outputs 1-4 O:3.1/8 - O:3.1/11
Address 2/2A outputs 1-4 O:3.0/4 - O:3.0/7	Address 6/6A outputs 1-4 O:3.1/4 - O:3.1/7
Address 3/3A outputs 1-4 O:3.0/0 - I:3.0/3	Address 7/7A outputs 1-4 O:3.1/0 - O:3.1/3
Address 4/4A outputs 1-4 O:3.1/12 - O:3.1/15	...