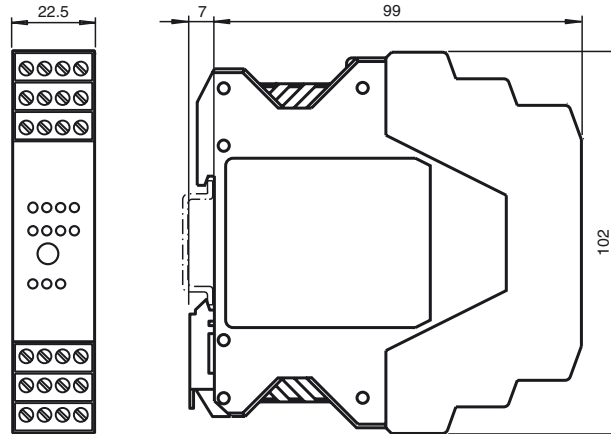




Dimensions



Electrical connection

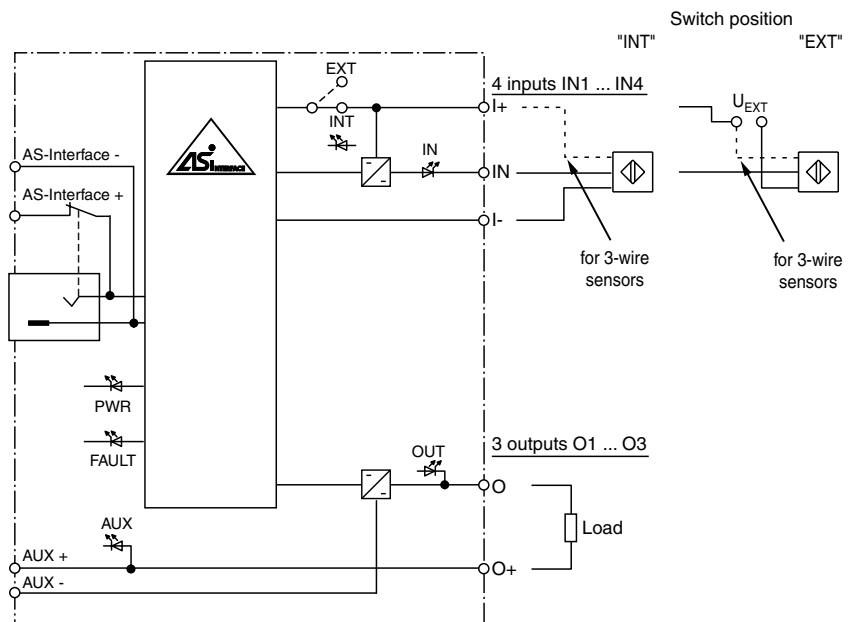
Model number

VBA-4E3A-KE-ZE0/E0

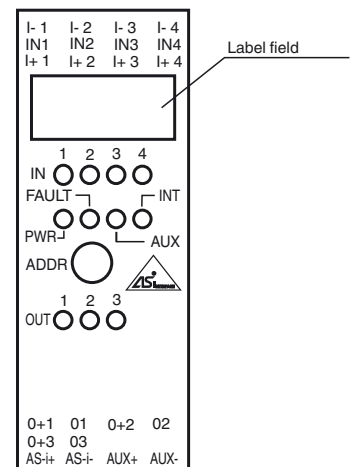
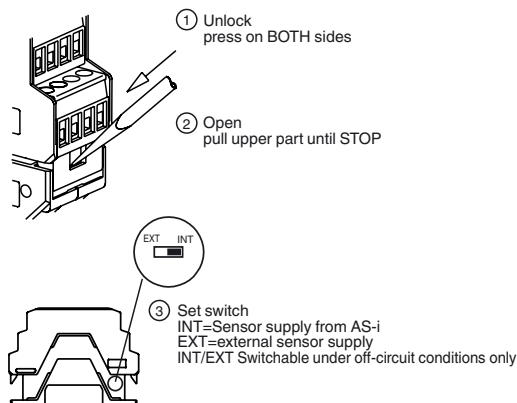
KE switch cabinet module
4 inputs (NPN) and 3 outputs (NPN)

Features

- A/B slave with extended addressing possibility for up to 62 slaves
- Housing with removable and color coded terminals
- Communication monitoring
- Inputs for 2- and 3-wire sensors
- Addressing jack
- Power supply of outputs from the external auxiliary voltage
- Supply of inputs external or from the module, as required
- Function display for bus, ext. auxiliary voltage, inputs and outputs



Indicating / Operating means



Release date: 2016-09-08 13:50 Date of issue: 2016-09-08 120432_eng.xml

Refer to "General Notes Relating to Pepperl+Fuchs Product Information".

Pepperl+Fuchs Group
www.pepperl-fuchs.com

USA: +1 330 486 0001
fa-info@us.pepperl-fuchs.com

Germany: +49 621 776 4411
fa-info@de.pepperl-fuchs.com

Singapore: +65 6779 9091
fa-info@sg.pepperl-fuchs.com

Technical data**General specifications**

Slave type	A/B slave
UL File Number	E87056

Functional safety related parameters

MTTF _d	450 a
Mission Time (T _M)	20 a
Diagnostic Coverage (DC)	0 %

Indicators/operating means

LED FAULT	Fault display; Red LED red: Communication fault or address is 0 red, flashing: Overload, internal input supply or outputs
LED INT	Internal input supply active; LED green
LED PWR	AS-Interface voltage; LED green
LED AUX	ext. auxiliary voltage U _{AUX} ; LED green
LED IN	switching state (input); 4 LED yellow
LED OUT	Switching state (output); 3 LED yellow

Electrical specifications

Auxiliary voltage (input)	U _{EXT}	12 ... 30 V DC PELV
Auxiliary voltage (output)	U _{AUX}	20 ... 30 V DC PELV
Rated operating voltage	U _e	26.5 ... 31.6 V from AS-Interface
Rated operating current	I _e	≤ 35 mA (without sensors) / max. 190 mA
Protection class		III
Surge protection	U _{EXT} , U _{AUX} , U _e :	Over voltage category III, safe isolated power supplies (PELV)

Input

Number/Type	4 inputs for 2- or 3-wire sensors (NPN), DC
Supply	from AS-Interface (switch position INT, default settings) or external U _{EXT} (switch position EXT)
Voltage	21 ... 31 V DC (INT)
Current loading capacity	≤ 150 mA, overload- and short-circuit protected (INT)
Input current	≤ 8 mA (limited internally)
Switching point	according to DIN EN 61131-2 (Type 2)
0 (unattenuated)	≤ 2 mA
1 (attenuated)	≥ 4 mA
Signal delay	< 2 ms (input/AS-Interface)
Signal frequency	≤ 250 Hz

Output

Number/Type	3 electronic outputs, NPN, overload and short-circuit proof
Supply	from external auxiliary voltage U _{AUX}
Current	O1/O2/O3 max. 1 A, total 3 A (T _B ≤ 40 °C) O1/O2/O3 max. 0.7 A, total 2.1 A (T _B ≤ 60 °C)
Voltage	≥ (U _{AUX} - 0.5 V)
Usage category	DC-13

Programming instructions

Profile	S-7.A.0
IO code	7
ID code	A
ID1 code	7
ID2 code	0

Data bits (function via AS-Interface)	input	output
D0	IN1	O1
D1	IN2	O2
D2	IN3	O3
D3	IN4	-

Parameter bits (programmable via AS-i)	function
P0	not used
P1	not used
P2	not used
P3	not used

Ambient conditions

Ambient temperature	-25 ... 60 °C (-13 ... 140 °F)
Storage temperature	-25 ... 85 °C (-13 ... 185 °F)
Relative humidity	90 % , noncondensing
Pollution degree	2

Mechanical specifications

Degree of protection	IP20 according to EN 60529
Connection	removable terminals rated connection capacity: rigid/flexible (with and without wire-end ferrules): 0.25 mm ² ... 2.5 mm ² for multiple-wire connection with two wires of equal cross-section: flexible with twin wire-end ferrules: 0.5 mm ² ... 1.5 mm ²
Material	
Housing	PA 66-FR

Function

The VBA-4E3A-KE-ZE0/E0 AS-Interface coupling module is a cabinet module with 4 inputs and 3 electronic outputs. The only 22.5 mm width housing requires not much space in the switch cabinet. The VBA-4E3A-KE-ZE0/E0 is installed by snapping on the 35 mm DIN Rail in accordance with EN 50022.

The connection type is made through plug-in terminals. 4-way terminal blocks (black) are used for the inputs. The connection of the outputs and the external auxiliary supply and AS-Interface is made through the 2-way terminal blocks (outputs black, auxiliary voltage gray and AS-Interface yellow). This allows simple disconnection of single actuators or supply by commissioning or service.

The power supply of the inputs and the connected sensors can be made as required internal via the module (AS-Interface) or via an external voltage source. The switching occurs with the switch in the device. The selection of the internal input supply is indicated via the LED INT. The current switching state of each in- and output is indicated by a LED on the front plate.

Note:

The device is equipped with a watchdog, which switches the outputs to their de-energized state, when on the AS-interface cable is no communication for more than 40 ms.

An overloading of the internal input supply or of the outputs will be reported via the function 'peripheral error' to the AS-Interface master. Communication via the AS-Interface remains intact.

Accessories**VBP-HH1-V3.0-KIT**

AS-Interface Handheld with accessory

VBP-HH1-V3.0

AS-Interface Handheld

VAZ-PK-1,5M-V1-G

Adapter cable module/hand-held programming device

Mass	150 g
Mounting	DIN mounting rail
Compliance with standards and directives	
Directive conformity	
EMC Directive 2004/108/EC	EN 61000-6-2:2005, EN 61000-6-4:2007, EN 50295:1999
Standard conformity	
Noise immunity	EN 61000-6-2:2005
Emitted interference	EN 61000-6-4:2007
AS-Interface	EN 50295:1999
Input	EN 61131-2:2004
Degree of protection	EN 60529:2000

Release date: 2016-09-08 13:50 Date of issue: 2016-09-08 120432_eng.xml

Refer to "General Notes Relating to Pepperl+Fuchs Product Information".

Pepperl+Fuchs Group
www.pepperl-fuchs.com

USA: +1 330 486 0001
fa-info@us.pepperl-fuchs.com

Germany: +49 621 776 4411
fa-info@de.pepperl-fuchs.com

Singapore: +65 6779 9091
fa-info@sg.pepperl-fuchs.com