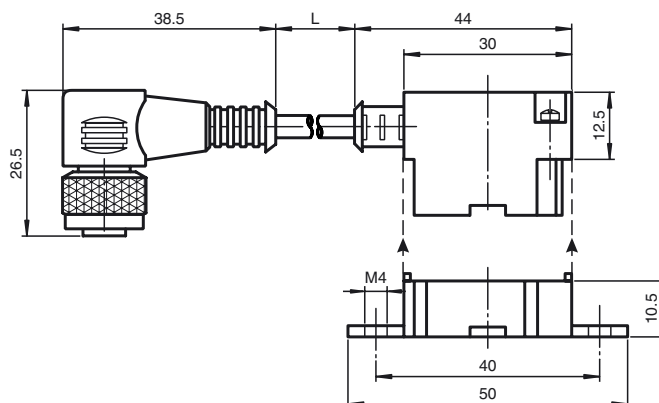
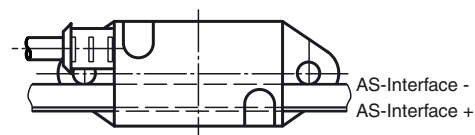
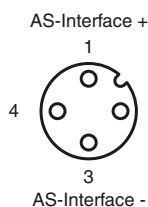




Dimensions



Electrical connection



Model Number

VAZ-T1-FK-2M-PUR-V1-W

Splitter box AS-Interface to M12 round connector

Features

- Immunity to vibration

Technical data

General specifications

Construction type	Socket, angled flat cable terminal AS-Interface
-------------------	--

Ambient conditions

Ambient temperature	-20 ... 70 °C (253 ... 343 K)
Degree of soiling	3

Mechanical specifications

Protection degree	IP67 according to EN 60529
Connection	AS-Interface flat cable: cable piercing method Connector: M12 x 1 (V1)

Material	
Contacts	CuZn
Contact surface	Au / Sn
Housing	PUR, black
Handle	PUR, black
Cable	PUR
Slotted nut	CuZn, nickel-plated
Core isolation	PVC

Cable	
Sheath diameter	Ø6.8 mm
Colour	black
Cores	2 x 1.5 mm ²
Length	L 2 m