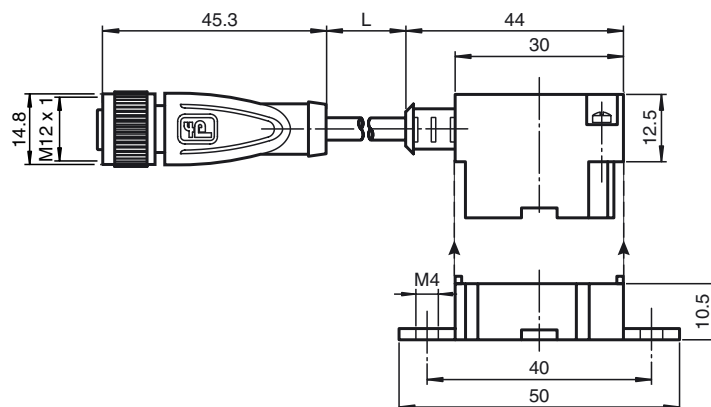
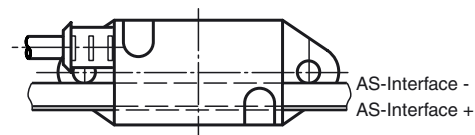
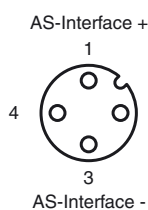




Dimensions



Electrical connection



Model number

VAZ-T1-FK-2M-PUR-V1-G

Splitter box AS-Interface to M12 round connector

Features

- Immunity to vibration

Technical data

General specifications

Construction type	Socket, straight Flat cable terminal AS-Interface
-------------------	------------------------------------------------------

Ambient conditions

Ambient temperature	-20 ... 70 °C (-4 ... 158 °F)
Pollution Degree	3

Mechanical specifications

Protection degree	IP67 according to EN 60529
Connection	AS-Interface flat cable: cable piercing method Connector: M12 x 1 (V1)

Material

Contacts	CuZn
Contact surface	Au / Sn
Housing	black PUR
Body	black PUR
Cable	PUR
Slotted nut	CuZn, nickel-plated
Core insulation	PVC

Cable

Sheath diameter	Ø6.8 mm
Color	black
Cores	2 x 1.5 mm ²
Length	L 2 m