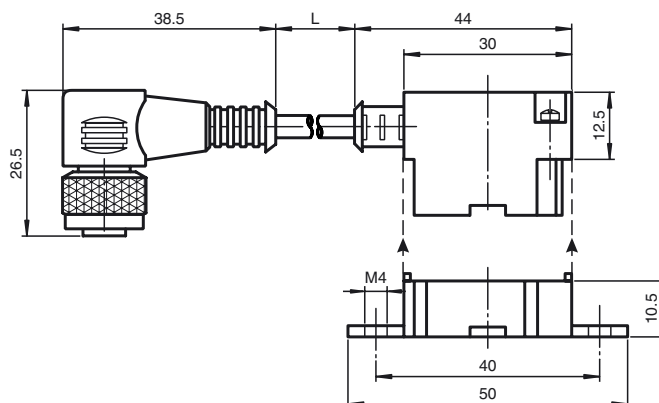
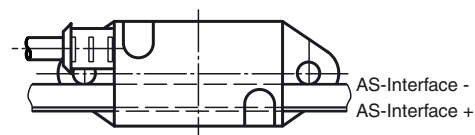
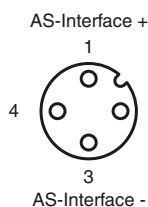




## Dimensions



## Electrical connection



## Model Number

**VAZ-T1-FK-1M-PUR-V1-W**

Splitter box AS-Interface to M12 round connector

## Features

- Immunity to vibration

## Technical data

### General specifications

Construction type	Socket, angled flat cable terminal AS-Interface
-------------------	--

### Ambient conditions

Ambient temperature	-20 ... 70 °C (253 ... 343 K)
Degree of soiling	3

### Mechanical specifications

Protection degree	IP67 according to EN 60529
Connection	AS-Interface flat cable: cable piercing method Connector: M12 x 1 (V1)

Material	
Contacts	CuZn
Contact surface	Au / Sn
Housing	PUR, black
Handle	PUR, black
Cable	PUR
Slotted nut	CuZn, nickel-plated
Core isolation	PVC

Cable	
Sheath diameter	Ø6.8 mm
Colour	black
Cores	2 x 1.5 mm <sup>2</sup>
Length	L 1 m