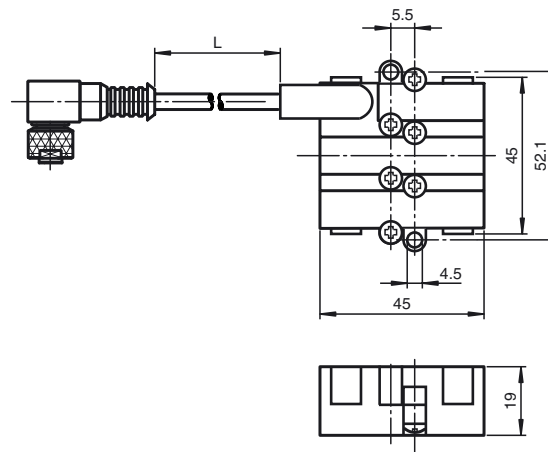




## Dimensions



## Model number

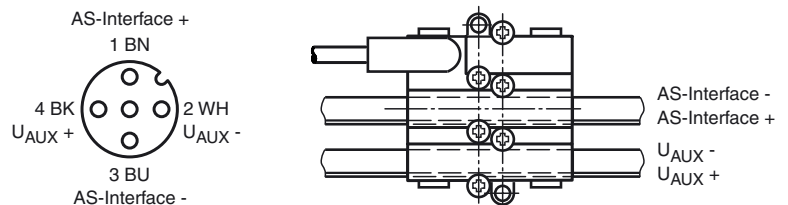
### VAZ-2T1-FK-2M-PUR-V1-W

Splitter box AS-Interface and auxiliary voltage to 1 x M12 round connector

## Features

- Simple and fast mounting
- Oil and abrasion resistant PUR line appropriate for drag chains
- Immunity to vibration

## Electrical connection



## Technical data

### General specifications

Construction type	Socket, right-angled AS-Interface/ext. flat cable, terminals Auxiliary voltage
-------------------	---

### Electrical specifications

Rated operating voltage	$U_e \leq 40 \text{ V}$
Rated operating current	$I_e \leq 4 \text{ A}$

### Ambient conditions

Ambient temperature	-25 ... 75 °C (-13 ... 167 °F)
Storage temperature	-40 ... 85 °C (-40 ... 185 °F)
Pollution Degree	3

### Mechanical specifications

Protection degree	IP65/IP67 in accordance with DIN 40050
Connection	AS-Interface flat cable: Insulation penetration technology Flat cable ext. auxiliary voltage $U_{AUX}$ : Insulation penetration technology Plug connection: M12 x 1 socket (V1)

### Material

Housing	PA 6-GF-FR, blue
Cable	PUR

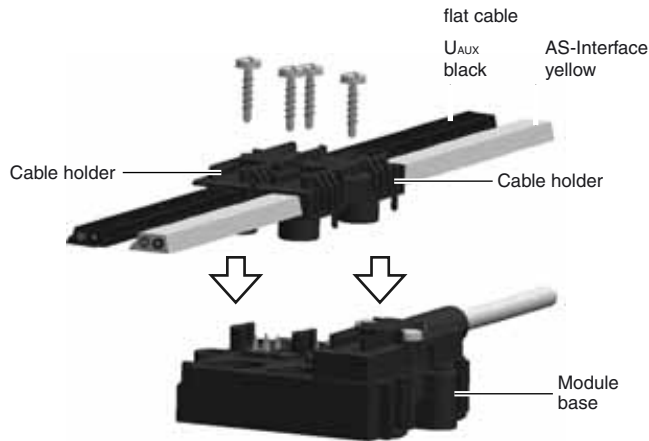
### Cable

Color	yellow
Cores	4 x 0.34 mm <sup>2</sup>
Length	L 2 m

Mass	approx. 50 g without cable
------	----------------------------

## Notes

### Mounting



1. Position the flat cables in the cable holders (pay attention to the cable profile).
2. Align the two cable holders with inserted flat cables correctly with the module base:  
 Yellow cable = AS-Interface;  
 Black cable = external auxiliary power  $U_{AUX}$   
 (See Fig. and labelling in the module base).

### Caution!

Protection class IP65/IP67 is only possible if flat cables are fitted in both cable holders.

3. Position the two cable holders correctly on the module base (mechanical coding!) and press down firmly.
4. Secure each cable holder by screwing in two screws (enclosed) until finger-tight.

### Caution!

Max. tightening torque of self-cutting screws: 35 Ncm.

5. Use the enclosed identification labels if required.