



Model number

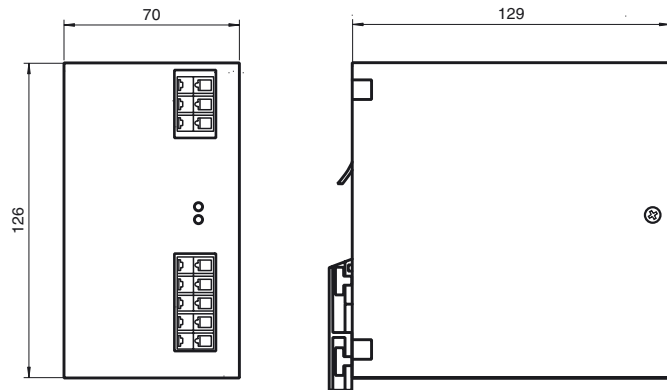
VAN-115/230AC-K17

AS-Interface power supply

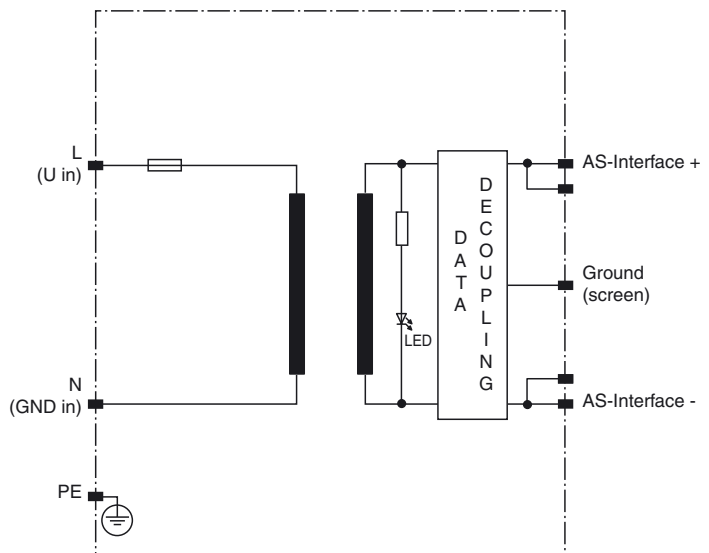
Features

- 4 A output loading
- 90 V AC to 265 V AC wide range power pack
- SELV
- LED operating display
- AS-Interface data decoupling
- Power factor correction
- Electronic overload protection and display

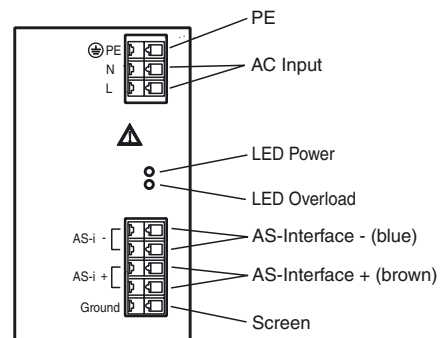
Dimensions



Electrical connection



Indicating / Operating means



Release date: 2015-02-27 11:45 Date of issue: 2015-02-27 130096_eng.xml

Refer to "General Notes Relating to Pepperl+Fuchs Product Information".

Pepperl+Fuchs Group
www.pepperl-fuchs.com

USA: +1 330 486 0001
fa-info@us.pepperl-fuchs.com

Germany: +49 621 776 4411
fa-info@de.pepperl-fuchs.com

Singapore: +65 6779 9091
fa-info@sg.pepperl-fuchs.com

Technical data**General specifications**

UL File Number	E223176
----------------	---------

Functional safety related parameters

MTTF _d	40 a
Mission Time (T _M)	10 a
Diagnostic Coverage (DC)	0 %

Indicators/operating means

LED Overload	Red LED, flashing
LED PWR	LED green

Electrical specifications

Fusing	3.15 AT
Capacity factor	approx. 0.6 (Depending on input voltage)
Rated operating voltage	U _e 90 ... 265 V AC
Rated operating current	I _e approx. 0.6 A (Without reactive current)
Ripple	according to AS-Interface specification
Supply frequency	47 ... 63 Hz
Efficiency	approx. 89 %
Inrush current	< 30 A

Output

Current limit	approx. 4.5 A
Current	4 A
Voltage	29.5 ... 31.6 V DC

Standard conformity

Electromagnetic compatibility	EN 61326
AS-Interface	EN 50295
Standards	EN 60950

Ambient conditions

Ambient temperature	-10 ... 60 °C (14 ... 140 °F)
Storage temperature	-25 ... 85 °C (-13 ... 185 °F)
Shock and impact resistance	300 m/s ²
Vibration resistance	5 ... 57 Hz / 0.15 mm 57 ... 200 Hz / 2.0 g

Mechanical specifications

Degree of protection	IP20
Protection class	I, Protective conductor connection necessary
Connection	Connection terminals, max. conductor cross-section 0.5 to 2.5 mm ² Stripping length 5 to 6 mm
Mass	approx. 900 g
Mounting	DIN mounting rail

Notes

The "GND" connection must be connected to the potential of the machine in any case.

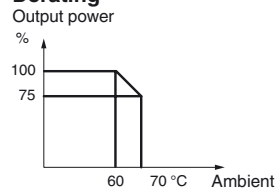
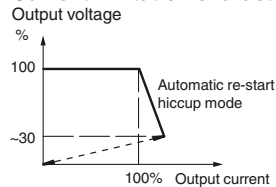
Function

The primarily pulsed power pack has been designed for field bus applications which transmit power and data via one single two-wire cable (AS-Interface concept). It supplies a fully extended AS-Interface system with a 4 A output current. Sinusoidal current drain from the mains avoids harmonics. The power factor correction feature ensures that the current and the voltage are almost cophasal to avoid reactive power and provide a $\cos \varphi > 0.6$ power factor.

The power pack makes available electric power. In addition to this, it provides for data isolation towards the power source and balancing of the two output lines (AS-Interface + and AS-Interface -) towards the reference potential of the machine (shield connection). Precise transformer coupling allows the use of unshielded load lines.

Fuses:

The power pack is electronically protected against external short circuits. In case of fault, the internal fusible link separates the power pack from the mains.

Derating**Current limitation characteristic****Accessories****AS-Interface Power Calculator**

AS-Interface Power supply and network checking utility