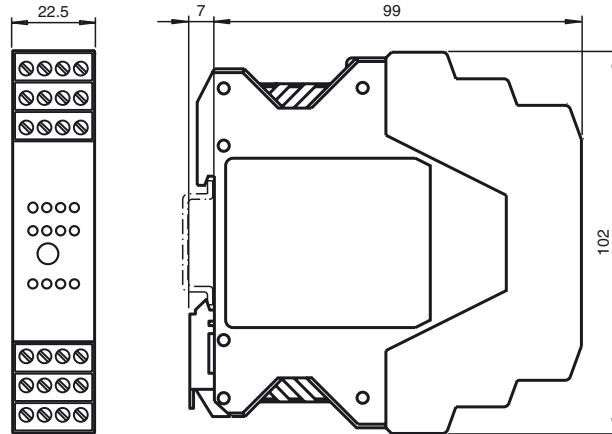




Dimensions



Electrical connection

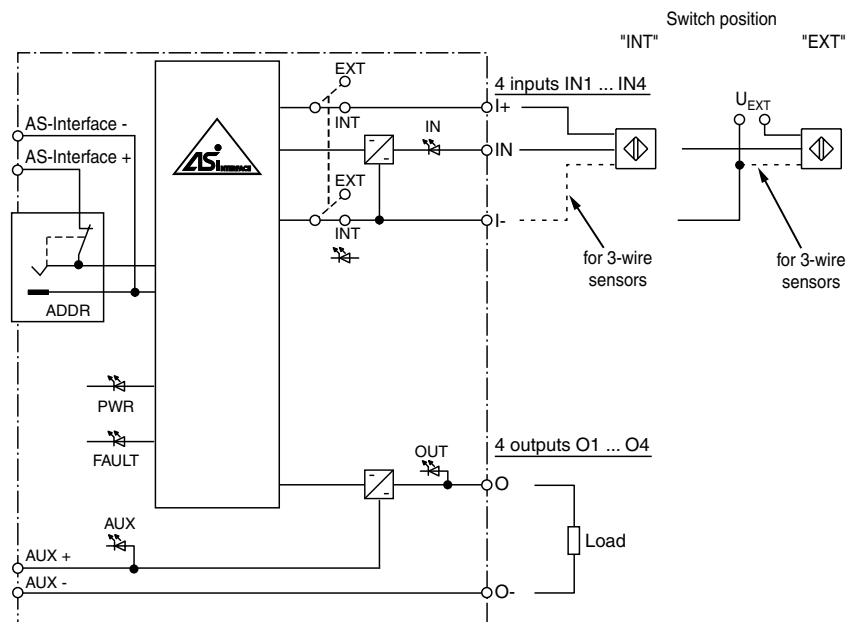
Model number

VAA-4E4A-KE-ZE/E2

KE switch cabinet module
4 inputs and 4 outputs

Features

- Housing with removable, mechanical and color coded terminals
- Communication monitoring
- Inputs for 2- and 3-wire sensors
- Addressing jack
- Power supply of outputs from the external auxiliary voltage
- Selectable supply to the sensors: External or from the module
- Function display for bus, external auxiliary voltage, internal sensor supply, inputs, and outputs

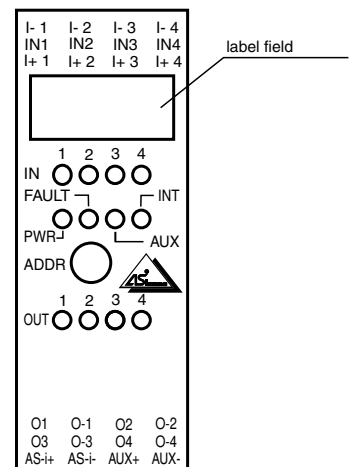
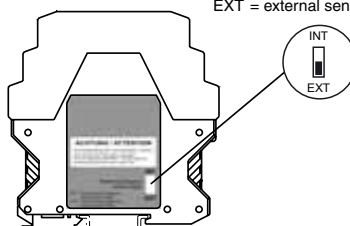


Indicating / Operating means

ATTENTION

Do not connect the terminals I+, IN and I- with any external potential when switch set to "INT"

Sensor supply:
INT = internal sensor supply (from AS-i)
EXT = external sensor supply



Release date: 2009-08-27 16:05 Date of issue: 2016-07-11 124421_eng.xml

Technical data**General specifications**

Slave type	Standard slave
AS-Interface specification	V2.1
Required master specification	≥ V2.0
UL File Number	E87056

Indicators/operating means

LED FAULT	Fault display; Red LED red: Communication fault or address is 0 red, flashing: Overload, internal input supply or outputs
LED INT	Internal input supply active; LED green
LED PWR	AS-Interface voltage; LED green
LED AUX	ext. auxiliary voltage U_{AUX} ; dual LED green/red green: voltage OK red: reverse voltage
LED IN	switching state (input); 4 LED yellow
LED OUT	Switching state (output); 4 LED yellow

Electrical specifications

Auxiliary voltage (input)	U_{EXT}	12 ... 30 V DC PELV
Auxiliary voltage (output)	U_{AUX}	20 ... 30 V DC PELV
Rated operating voltage	U_e	26.5 ... 31.6 V from AS-Interface
Rated operating current	I_e	≤ 35 mA (without sensors) / max. 190 mA
Protection class		III
Surge protection		U_{EXT} , U_{AUX} , U_e : Over voltage category III, safe isolated power supplies (PELV)

Input

Number/Type	4 inputs for 2- or 3-wire sensors (PNP), DC
Supply	from AS-Interface (switch position INT, default settings) or external U_{EXT} (switch position EXT)
Voltage	21 ... 31 V DC (INT)
Current loading capacity	≤ 150 mA, overload- and short-circuit protected (INT)
Input current	≤ 8 mA (limited internally)
Switching point	according to DIN EN 61131-2 (Type 2)
0 (unattenuated)	≤ 2 mA
1 (attenuated)	≥ 4 mA
Signal delay	< 2 ms (input/AS-Interface)
Signal frequency	≤ 250 Hz

Output

Number/Type	4 electronic outputs, PNP, overload and short-circuit proof
Supply	from external auxiliary voltage U_{AUX}
Current	O1 ... O4 max. 0.7 A, Sum 2.8 A
Voltage	≥ (U_{AUX} - 0.5 V)
Usage category	DC-13

Programming instructions

Profile	S-7.0
IO code	7
ID code	0
ID1 code	F
ID2 code	E

Data bits (function via AS-Interface)	input	output
D0	IN1	O1
D1	IN2	O2
D2	IN3	O3
D3	IN4	O4

Parameter bits (programmable via AS-i) function

P0	not used
P1	not used
P2	not used
P3	not used

Ambient conditions

Ambient temperature	-25 ... 60 °C (-13 ... 140 °F)
Storage temperature	-25 ... 85 °C (-13 ... 185 °F)
Relative humidity	90 % , noncondensing
Pollution degree	2

Mechanical specifications

Degree of protection	IP20
Connection	removable terminals rated connection capacity: rigid/flexible (with and without wire-end ferrules): 0.25 mm ² ... 2.5 mm ² for multiple-wire connection with two wires of equal cross-section: flexible with twin wire-end ferrules: 0.5 mm ² ... 1.5 mm ²
Material	
Housing	PA 66-FR
Mass	150 g
Mounting	DIN mounting rail

Function

The VAA-4E4A-KE-ZE/E2 AS-Interface I/O module is a cabinet module with 4 inputs and 4 electronic outputs. The only 22.5 mm width housing requires not much space in the switch cabinet. The module is installed by snapping on the 35 mm DIN Rail in accordance with EN 50022.

The connection is made through plug-in terminals. For the inputs and outputs 4-way terminal blocks (black) are used. The connection of the external auxiliary supply and AS-Interface is made through the 2-way-terminal blocks (auxiliary supply gray, AS-Interface yellow). In order to avoid exchanges, the terminals for inputs and outputs are coded mechanically.

The power supply of the inputs and the connected sensors can be made as required via the internal supply of the module (AS-Interface) or via an external voltage source. The switching is carried out by means of a switch that is positioned at the side of the module. The selection of the internal input supply is indicated via the LED INT. The current switching state of each input and output is indicated by the resp. LED IN and OUT.

Note:

The device is equipped with a communication monitoring, which switches the outputs to their de-energized state, when there is no AS-Interface communication with the module for more than 40 ms.

An overloading of the internal input supply or of the outputs will be reported via the function 'peripheral error' to the AS-Interface master. The communication via the AS-Interface remains intact.

Accessories**VBP-HH1-V3.0-KIT**

AS-Interface Handheld with accessory

VBP-HH1-V3.0

AS-Interface Handheld

VAZ-PK-1,5M-V1-G

Adapter cable module/hand-held programming device

Compliance with standards and directives

Directive conformity	
EMC Directive 2004/108/EC	EN 61000-6-2:2005, EN 61000-6-4:2007 , EN 50295:1999
Standard conformity	
Noise immunity	EN 61000-6-2:2005
Emitted interference	EN 61000-6-4:2007
Input	EN 61131-2:2004
Degree of protection	EN 60529:2000
Fieldbus standard	EN 50295:1999, IEC 62026-2:2006

Notes

Do not connect inputs and outputs, which are supplied via the module from AS-interface or via auxiliary power, with power supply and signal circuits with external potentials.