



Model number

VAA-2E1A-F85A-S-V1

AS-Interface EMERGENCY STOP button

Features

- 2-channel, compelled connected
- Outwit-proof according to ISO 13850/EN 418
- Integrated illumination in the actuator
- TÜV-approval for system components is available
- Biased actuator for self-monitoring
- EMERGENCY STOP unlocking by turning or pulling
- M12 plug connection

Function

This AS-Interface emergency shutoff button is a two-channel, positively driven contact, allowing the operation of personnel protection systems when used according to specification along with an AS-Interface safety monitor. It occupies one complete address in the AS-Interface strand.

When the safety monitor is properly configured, up to EN 954-1 Category 4 and IEC 61508 SIL 3 can be achieved.

For mounting, the housing of this AS-Interface emergency shutoff button can be screwed directly onto the machine. The button can be illuminated in red.

Accessories

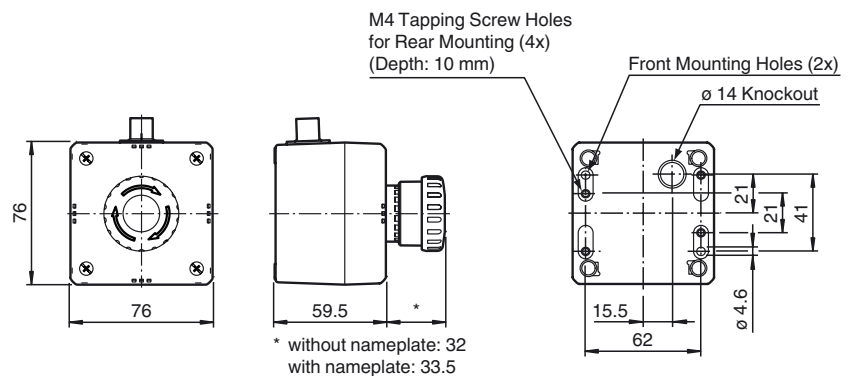
VAZ-F85A-SH

Actuating protection for emergency off button

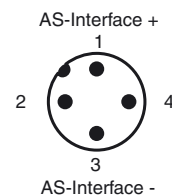
VAZ-F85A-MH

Mounting aid for EMERGENCY STOP button

Dimensions



Electrical connection



Technical data

General specifications

Slave type	Safety-Slave
AS-Interface specification	V2.1
Required master specification	\geq V2.0
UL File Number	E198304

Functional safety related parameters

MTTF _d	200 a
B _{10d}	1 E+5

Electrical specifications

Rated operating voltage	U_e	26.5 ... 31.6 V from AS-Interface
Rated operating current	I_e	\leq 40 mA
Protection class		III
Insulation resistance		\geq 100 M Ω

Input

Number/Type	2 NC Safety function by positive opening in accordance with IEC/EN 60947-5-1 Reset by pulling
Supply	from AS-Interface

Output

Number/Type	LED red
Supply	from AS-Interface

Directive conformity

Electromagnetic compatibility	
Directive 2014/30/EU	EN 62026-2:2013

Standard conformity

Electromagnetic compatibility	EN 62026-2:2013
Functional safety	EN 62061:2005 EN 61508 Parts 1-7:2010 NFPA 79:2007 EN 60204-1:2006

Programming instructions

Profile	S-7.B.E.
IO code	7
ID code	B
ID1 code	F
ID2 code	E

Data bits (function via AS-Interface)	input	output
D0	dyn. safety code 1	OUT 1

D1	dyn. safety code 1	-
D2	dyn. safety code 2	-
D3	dyn. safety code 2	-
Parameter bits (programmable via AS-i) function		
P0	not used	
P1	not used	
P2	not used	
P3	not used	
Ambient conditions		
Ambient temperature	-25 ... 50 °C (-13 ... 122 °F) (no freezing)	
Storage temperature	-40 ... 70 °C (-40 ... 158 °F)	
Relative humidity	40 ... 85 % , noncondensing	
Mechanical specifications		
Operating force	Push: 32 N Pull: 21 N Turn: 0.27 Nm Minimum for positive opening operation: 60 Nm	
Operating distance	for positive opening operation: min. 4 mm maximal: 4.5 mm	
Degree of protection	IP65 Module: IP20	
Connection	M12 round connector	
Material		
Housing	PC	
Mass	195 g	
Life span	> 250,000 switching operations	