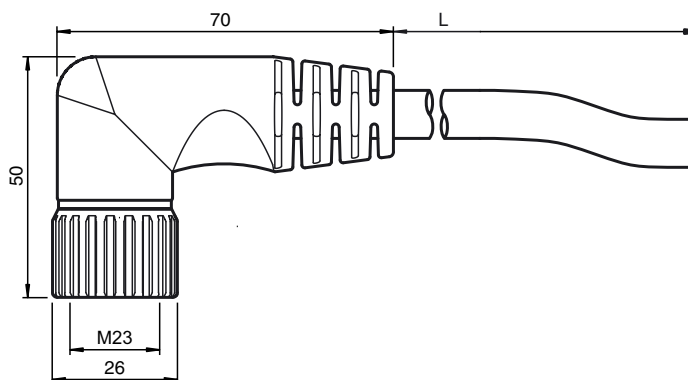




**Dimensions**



**Model Number**

**V23-W-10M-PUR**

Female cordset, M23, 12-pin, PUR cable

**Features**

- Sturdy design
- Plastic-coated
- Flame resistant cable
- Oil resistant

**Technical data**

**General specifications**

Number of pins	12
Connection 1	socket
Construction type 1	right angle
Threading 1	M23
Connection 2	cable end

**Electrical specifications**

Operating voltage	U <sub>B</sub>	300 V AC/DC
Operating current		8 A
Contact resistance		< 3 mΩ

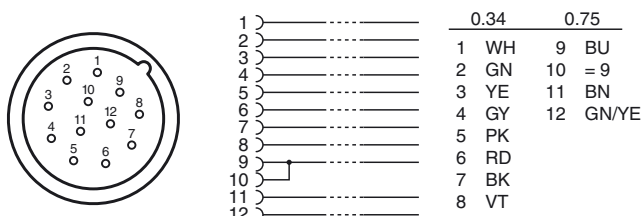
**Ambient conditions**

Ambient temperature	Body: -40 ... 125 °C (-40 ... 257 °F) cable, flexing: -5 ... 80 °C (23 ... 176 °F) cable, fixed: -40 ... 90 °C (-40 ... 194 °F)
Pollution Degree	2

**Mechanical specifications**

Protection degree	IP68
Material	
Contacts	CuZn, nickel-plated
Contact surface	Au
Body	PUR
Cable	PUR
Seal	FPM
Core insulation	PVC
Cable	
Sheath diameter	Ø 8.5 mm
Color	black
Cores	8 x 0.34 mm <sup>2</sup> and 3 x 0.75 mm <sup>2</sup>
Conductor construction	19 x 0.15 mm and 42 x 0.15 mm
Length	L 10 m
Mating cycles	50

**Electrical connection**



Release date: 2014-01-15 15:04 Date of issue: 2014-01-23 183272\_eng.xml

Refer to "General Notes Relating to Pepperl+Fuchs Product Information".

Pepperl+Fuchs Group  
www.pepperl-fuchs.com

USA: +1 330 486 0001  
fa-info@us.pepperl-fuchs.com

Germany: +49 621 776 4411  
fa-info@de.pepperl-fuchs.com

Singapore: +65 6779 9091  
fa-info@sg.pepperl-fuchs.com