



### Model Number

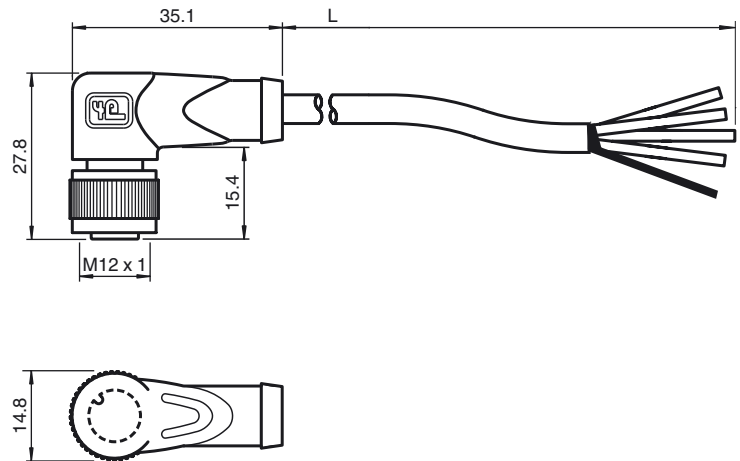
#### V1-W-IVH-5M-PUR-ABG

Female cordset, M12, 4-pin, shielded, PUR cable

### Features

- Connecting cable for read/write head
- Shield attached to coupling nut
- Knurled nut suitable for tool assembly
- Immunity to vibration, with mechanical latching
- Protection degree IP67 / IP68 / IP69K
- Halogen-free

### Dimensions



### Technical data

#### General specifications

|                     |             |
|---------------------|-------------|
| Number of pins      | 4 + shield  |
| Connection 1        | socket      |
| Construction type 1 | right angle |
| Threading 1         | M12         |
| Connection 2        | cable end   |

#### Electrical specifications

|                   |       |                            |
|-------------------|-------|----------------------------|
| Operating voltage | $U_B$ | max. 250 V AC/DC           |
| Test voltage      |       | > 1500 V <sub>eff</sub> AC |
| Operating current |       | max. 4 A                   |
| Volume resistance |       | < 5 mΩ                     |

#### Ambient conditions

|                     |  |
|---------------------|--|
| Ambient temperature | -40 ... 90 °C (-40 ... 194 °F)<br>cable, flexing: -25 ... 80 °C (-13 ... 176 °F)<br>cable, fixed: -25 ... 80 °C (-13 ... 176 °F) |
| Pollution Degree    | 3  |

#### Mechanical specifications

|                        |  |
|------------------------|--|
| Protection degree      | IP67 / IP68 / IP69k  |
| Material               |  |
| Contacts               | CuSn / Au  |
| Contact surface        | Au   |
| Body                   | TPU, green   |
| Cable                  | PUR  |
| Slotted nut            | Diecast zinc   |
| Core insulation        | PP   |
| Cable                  | fine-strand, flexible  |
| Sheath diameter        | Ø 4.8 mm   |
| Bending radius         | > 10 x cable diameter, moving<br>5 x cable diameter, single bend |
| Color                  | grey   |
| Cores                  | 4 x 0.34 mm <sup>2</sup>   |
| Conductor construction | 19 x 0.15 mm Ø   |
| Shield                 | grid covering 85 %   |
| Length                 | L 5 m  |
| Flammability           |  |
| Contact material       | 94 HB  |
| Housing                | 94 V-2   |

### Electrical connection

