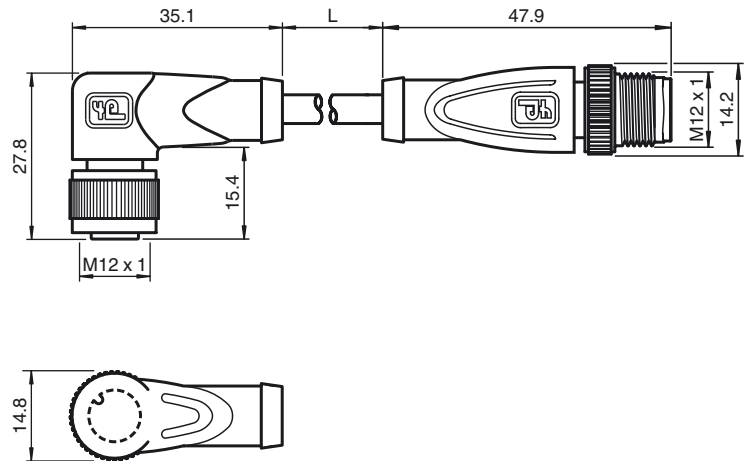




**Dimensions**



**Model Number**

**V1-W-5M-PVC-V1-G**

Connecting cable, M12 to M12, PVC cable 4-pin

**Features**

- Knurled nut suitable for tool assembly
- Immunity to vibration, with mechanical latching
- Gold plated contacts
- Degree of protection IP67 / IP68 / IP69K

**Technical data**

**General specifications**

Number of pins 4

**Electrical specifications**

Operating voltage  $U_B$  max. 250 V AC/DC  
 Operating current  $I_B$  max. 4 A  
 Contact resistance < 10 mΩ

**Ambient conditions**

Ambient temperature cable, fixed: -25 ... 70 °C (-13 ... 158 °F)  
 cable, flexing: -5 ... -70 °C (23 ... -94 °F)  
 Pollution degree 3

**Mechanical specifications**

Contact elements spring-loaded contact socket  
 Pin diameter 1 mm  
 Degree of protection IP67 / IP68 / IP69K

**Material**

Contacts CuSn / Au  
 Contact surface Au  
 Body TPU, black  
 Cable PVC  
 Slotted nut Diecast zinc  
 Sleeve connector Diecast zinc  
 Core insulation PVC  
 Cable fine-strand, flexible  
 Sheath diameter Ø 4.8 mm  
 Bending radius > 10 x cable diameter, moving  
 Color grey  
 Number of cores 4  
 Core cross-section 0.34 mm<sup>2</sup>  
 Conductor construction 19 x 0.15 mm Ø  
 Length L 5 m

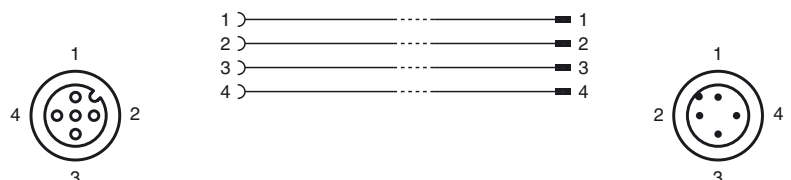
**Flammability**

Contact carrier 94 HB  
 Housing 94 V-2

**Compliance with standards and directives**

Standard conformity  
 Degree of protection EN 60529:2000  
 Standards IEC 61076-2-101:2008

**Electrical connection**



Release date: 2017-05-31 08:27 Date of issue: 2017-05-31 114707\_eng.xml