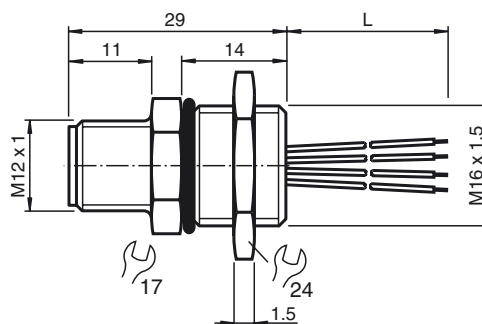




Dimensions



Model Number

V1-M16-50

Receptacles, M12/M16, 4-pin

Features

- Plastic version
- Front/screw mounting
- M12 plug can be mounted in any position

Accessories

LOCKNUT M16 NICKEL BRASS
Nut, nickel-plated brass

Technical data

General specifications

Number of pins	4
Connection 1	Male connector
Construction type 1	straight
Threading 1	M12
Connection 2	cable end

Electrical specifications

Operating voltage	U_B	max. 250 V AC/DC
Operating current		max. 4 A
Volume resistance		< 5 mΩ

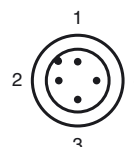
Ambient conditions

Ambient temperature	-25 ... 80 °C (-13 ... 176 °F)
---------------------	--------------------------------

Mechanical specifications

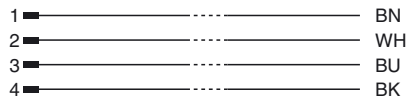
Pin diameter	1 mm
Degree of protection	IP67 when sealing with O-Ring
Connection	Single strand leads with connector sleeves
Material	
Contacts	CuZn
Contact surface	Au
Connector	PA 66
Seal	NBR
Core insulation	PVC
Cable	
Cores	4 x 0.14 mm ²
Length	L 50 mm
Installation	Front mounting M16
Note	Mounting accessories included

Electrical connection

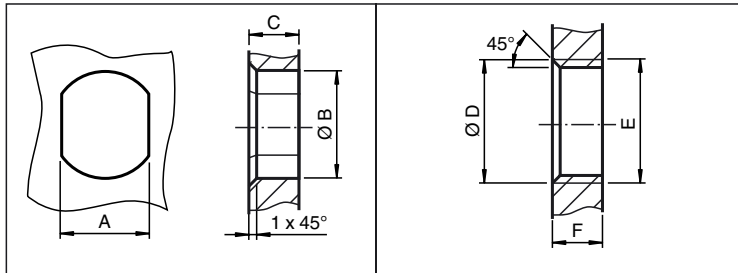


Release date: 2014-10-30 12:02 Date of issue: 2014-10-30 801842_eng.xml

Electrical connection



Installation Note



	A	B	C	D	E	F
M8	7.1 ^{+0.1}	Ø 8.2 ^{+0.1}	2 - 4 mm	-	M8x0.5	2 - 4 mm
M12	11 ^{+0.1}	Ø 12.2 ^{+0.1}	< 4 mm	-	M12x1	< 4.5 mm
M16	13.5 ^{+0.1}	Ø 16.1	< 4.5 mm	Ø 17 ^{+0.2}	M16x1.5	> 2.5 mm
M20	13.5 ^{+0.1}	Ø 20.1	-	Ø 20 ^{+0.2}	M20x1.5	< 6 mm
PG9	13.5 ^{+0.1}	Ø 15.3 ^{+0.1}	< 4.5 mm	Ø 16	PG9	> 2.5 mm
PG13.5	18.8 ^{+0.1}	Ø 20.5 ^{+0.1}	-	Ø 22 ^{±0.1}	PG13.5	-

Release date: 2014-10-30 12:02 Date of issue: 2014-10-30 801842_eng.xml