



Model Number

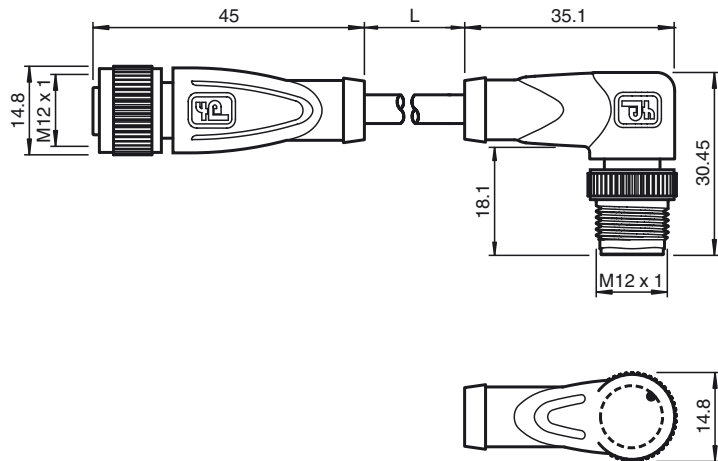
V1-G-5M-PVC-V1-W

Connecting cable, M12 to M12, PVC cable 4-pin

Features

- Knurled nut suitable for tool assembly
- Immunity to vibration, with mechanical latching
- Gold-plated and machined contacts
- Degree of protection IP67 / IP68 / IP69K
- Suitable for 2-, 3- and 4-wire technology

Dimensions



Technical data

General specifications

Number of pins 4

Electrical specifications

Operating voltage U_B max. 250 V AC/DC

Test voltage $> 1500 V_{eff AC}$

Operating current I_B max. 4 A

Volume resistance $< 5 m\Omega$

Ambient conditions

Ambient temperature cable, fixed: -25 ... 70 °C (-13 ... 158 °F)
cable, flexing: -5 ... -70 °C (23 ... -94 °F)

Pollution degree 3

Mechanical specifications

Contact elements spring-loaded contact socket

Pin diameter 1 mm

Degree of protection IP67 / IP68 / IP69K

Material

Contacts CuSn / Au

Contact surface Au

Body TPU, green

Cable PVC

Slotted nut Diecast zinc

Sleeve connector Diecast zinc

Core insulation PVC

Cable fine-strand, flexible

Sheath diameter $\varnothing 4.8 mm$

Bending radius $> 10 x$ cable diameter, moving

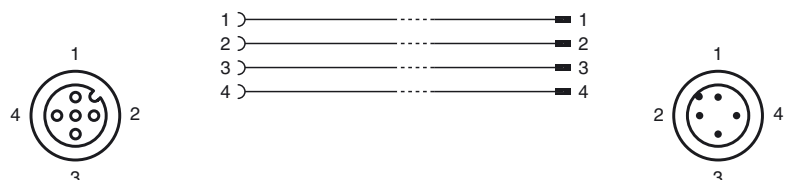
Color grey

Cores $4 x 0.34 mm^2$

Conductor construction $19 x 0.15 mm \varnothing$

Length L 5 m

Electrical connection



Release date: 2017-03-27 14:46 Date of issue: 2017-03-27 126970_eng.xml

Refer to "General Notes Relating to Pepperl+Fuchs Product Information".

Pepperl+Fuchs Group
www.pepperl-fuchs.com

USA: +1 330 486 0001
fa-info@us.pepperl-fuchs.com

Germany: +49 621 776 4411
fa-info@de.pepperl-fuchs.com

Singapore: +65 6779 9091
fa-info@sg.pepperl-fuchs.com