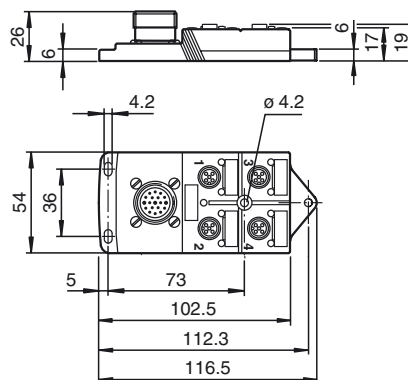




**Dimensions**



**Model Number**

**V1-4A-E2-M23**  
 Quadruple splitter boxes with M23 connector

**Features**

- Fast, flexible installation/separation
- LED indicator for module supply and I/O status
- Degree of protection IP67

**Accessories**

- VAZ-V1-B3**  
Blind plug for M12 sockets
- MH 05-SACB-4**  
Mounting aid for DIN rail
- MH V1-SCREWDRIVER**  
torque screwdriver (0.4 Nm)
- MH V1-BIT M12**  
plug-in cap M12
- V23-G-5M-PUR**  
Female cordset, M23, 12-pin, PUR cable
- V23-G-10M-PUR**  
Female cordset, M23, 12-pin, PUR cable

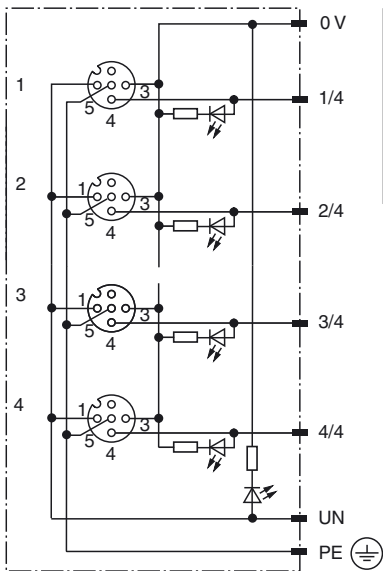
**Technical data**

<b>General specifications</b>	
Number of pins	4
<b>Indicators/operating means</b>	
LED green	supply voltage each module
LED yellow	I/O status indication
<b>Electrical specifications</b>	
Operating voltage	$U_B$ 24 V DC, max. 30 V DC
Operating current	≤ 5 mA per channel indication element
Current loading capacity	≤ 2 A per channel, ≤ 4 A per plug-in station, ≤ 12 A total current per separator
<b>Ambient conditions</b>	
Ambient temperature	-20 ... 75 °C (-4 ... 167 °F)
<b>Mechanical specifications</b>	
Connection type	4 x socket M12 x 1 4-pin 1 x Male connector M23
Degree of protection	IP65/IP67
Material	
Contacts	CuSn
Contact surface	Ni/Au
Housing	PA
Seal	O-ring: NBR
Mass	approx. 100 g
Flammability	94 V-0
<b>Compliance with standards and directives</b>	
Standard conformity	
Degree of protection	EN 60529

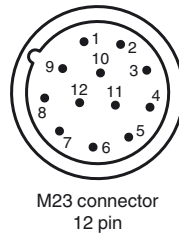
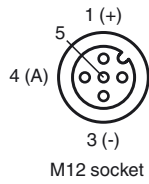
Release date: 2014-10-30 11:56 Date of issue: 2014-10-30 180247\_eng.xml

Refer to "General Notes Relating to Pepperl+Fuchs Product Information".

Electrical connection



Slot/Pin (signal)	Pin M23
1 / 4 (A)	1
2 / 4 (A)	2
3 / 4 (A)	3
4 / 4 (A)	4
1-4 / 1 (UN)	11
1-4 / 3 (0 V)	9+10
1-4 / 5 (PE)	12



Release date: 2014-10-30 11:56 Date of issue: 2014-10-30 180247\_eng.xml