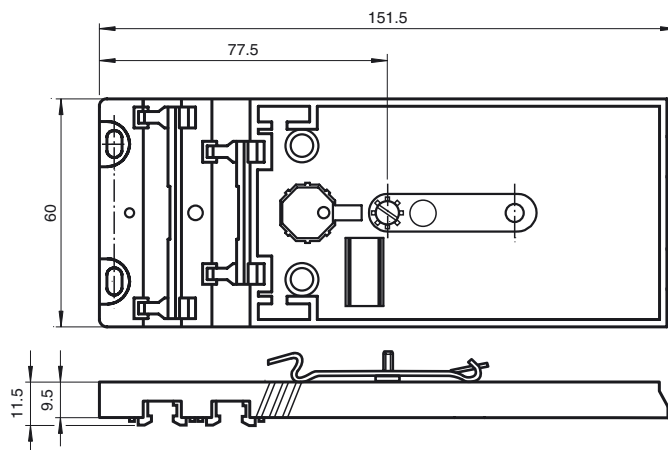




## Dimensions



## Model number

### U-G2FF-DIN

AS-Interface module mounting base for DIN Rail for connection to flat cable (AS-Interface and external auxiliary power)

## Features

- Fits on standard DIN rail

## Function

The base U-G2FF is used for connecting G2 modules in a long design to AS-Interface. For mounting, the module is snapped onto the DIN rail, the inserted flat cables are pressed into the contact prongs of the module and thus connected. For some modules, the connection to earth is established via this top part.

## Technical data

### Ambient conditions

Ambient temperature	-25 ... 60 °C (-13 ... 140 °F)
Storage temperature	-25 ... 85 °C (-13 ... 185 °F)

### Mechanical specifications

Protection degree	IP67 according to EN 60529 (only in connection with module or cover)
Connection	AS-Interface flat cable
Material	
Housing	PBT
Dimensions	about 80, 45, 34 mm (L, W, H)

## Notes

Do not connect inputs and outputs, which are supplied via the module from AS-interface or via auxiliary power, with power supply and signal circuits with external potentials.