

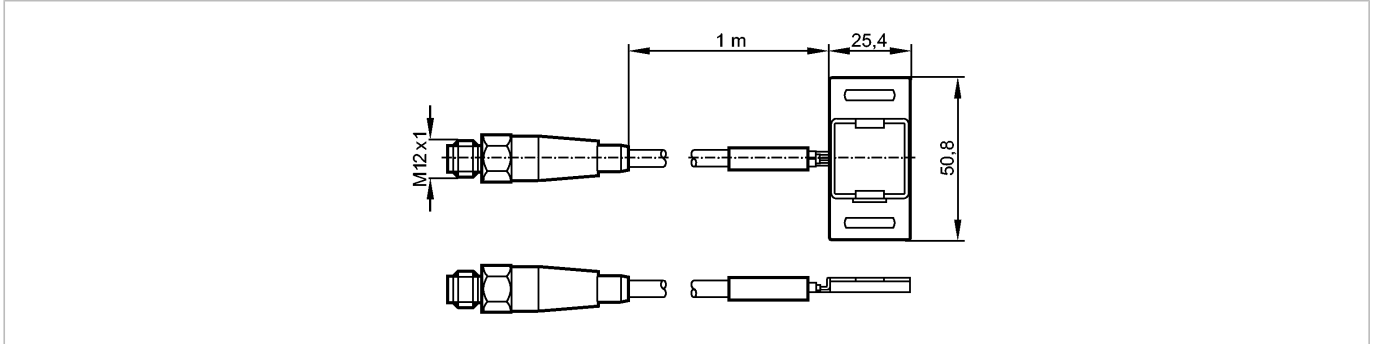
no longer available - archive entryreplaced by: U60142

efector600

U60116



Temperature sensors



Product characteristics

Temperature sensor for connection to evaluation units

Surface Mount RTD

Quick disconnect

Connection to control monitor TR

Measuring range: -200...232 °C / -320...450 °F

Measuring element: 1 x Pt 100, to DIN EN 60751, class B

Application

Application

Strap-on RTD

Electrical data

Connection to control monitor

TR

Measuring / setting range

Measuring range

-200...232 °C

-320...450 °F

Environment

Ambient temperature

[°C]

-25...80, for the plug area

Protection

IP 67

Mechanical data

Housing materials

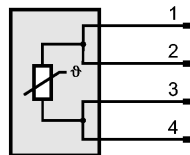
stainless steel (302); stainless steel (316); silicone rubber

Electrical connection

Connection

PVC cable / 1 m; with M12 connector

Wiring



Remarks

Remarks

Long-term stability: < 0.05°C drift / 5 years

Pack quantity

[piece]

1

ifm efector, inc. • 1100 Atwater Drive • Malvern • PA 19355 — We reserve the right to make technical alterations without prior notice. — US — U60116 — 05.10.2005

no longer available - archive entryreplaced by: U60142