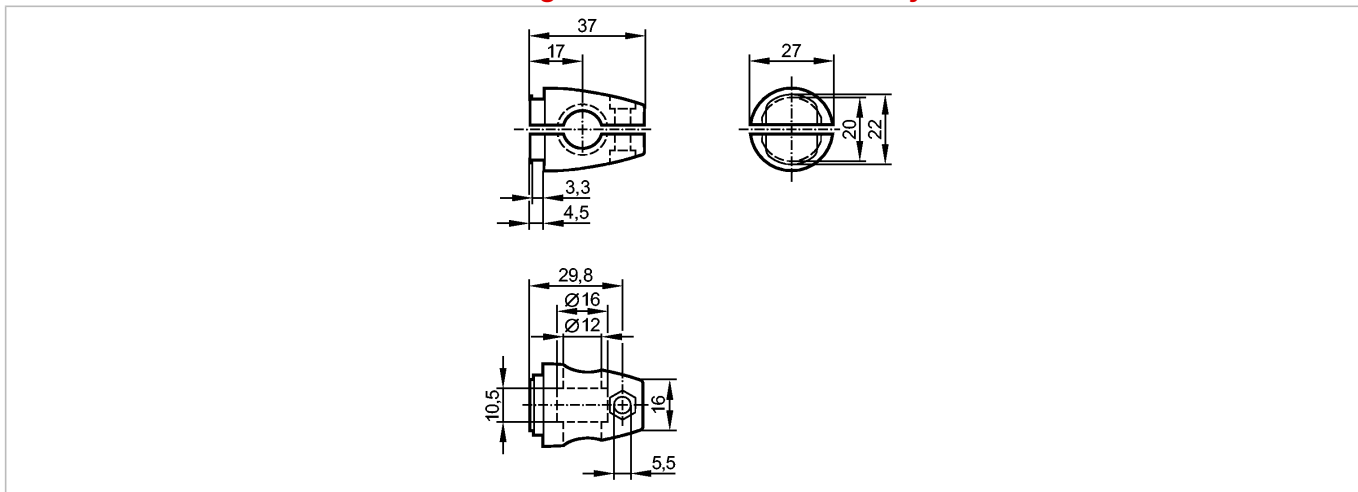


no longer available - archive entry



Product characteristics

Mounting set

OD

Clamp mounting

Mechanical data

Housing materials clamp: stainless steel (316C); fixture: stainless steel

Type of mounting free-standing M10

Accessories

Accessories (included) Head cap screw; M10 x 55; Mounting bracket

Remarks

Pack quantity [piece] 1

no longer available - archive entry