

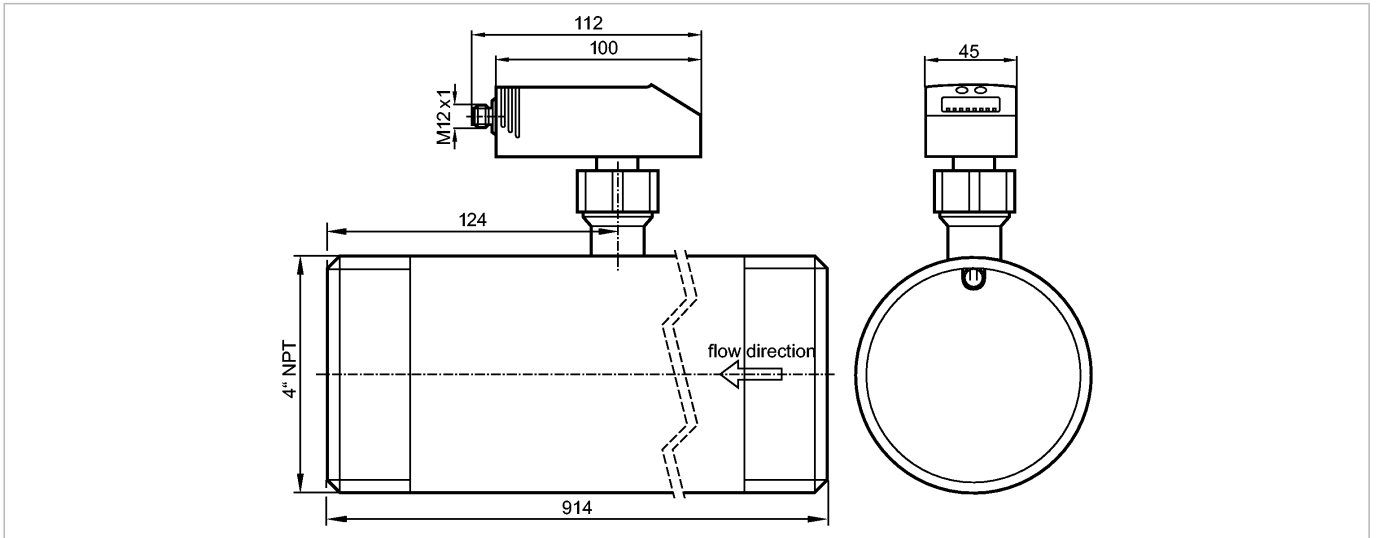
no longer available - archive entry

efector300

U25145



Flow sensors



Product characteristics

Compressed air meter

Quick disconnect

Function programmable

mounted on 4" x 36" sch 40 pipe

2 outputs

OUT1 = switching output

OUT2 = switching output or analog output

Measuring range

10...5140 scfm

Temperature indication

32...140 °F

Application

Application

compressed air

Pressure rating [psi]

232

Medium temperature [°F]

32...140

Electrical data

Electrical design

DC PNP

Operating voltage [V]

19...30 DC

Current consumption [mA]

< 100

Protection class

III

Reverse polarity protection

yes

Outputs

Output function

2 x normally open / normally closed programmable or 1 x normally open / normally closed programmable + 1 x analogue (4...20 mA)

Current rating [mA]

2 x 250

Voltage drop [V]

< 2

Short-circuit protection

yes (non-latching)

Overload protection

yes

Analog output

4...20 mA

Max. load [Ω]

< 500

Measuring / setting range

Flow monitoring

Measuring range [scfm]

10...5140

Display range [scfm]

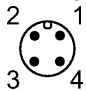
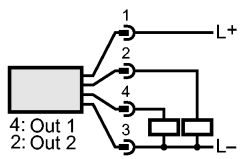
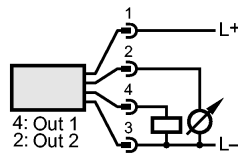
0...5140

Measuring dynamics

1:300

Temperature monitoring

U25145 - Compressed air meter - eclass: 27273101 / 27-27-31-01

Measuring range	[°F]	32...140
Display range	[°F]	32...140
Accuracy / deviations		
Temperature monitoring		
Accuracy	[K]	± 2 **)
Reaction times		
Power-on delay time	[s]	0.5
Flow monitoring		
Response time	[s]	< 0.1 (dAP = 0)
Damping, dAP	[s]	0 - 0.2 - 0.4 - 0.6 - 0.8 - 1
Environment		
Ambient temperature	[°F]	32...140
Storage temperature	[°F]	-15...185
Max. relative air humidity	[%]	90
Protection		IP 65
Tests / approvals		
EMC		EN 61000-4-2 ESD: 4 kV CD / 8 kV AD EN 61000-4-3 HF radiated: 10 V/m EN 61000-4-4 Burst: 2 kV EN 61000-4-6 HF conducted: 10 V
Vibration resistance		DIN IEC 68-2-6: 5 g (55...2000 Hz)
Mechanical data		
Materials (wetted parts)		stainless steel 316 / 1.4401; stainless steel (304S15); ceramics glass passivated; PEEK (polyether ether ketone); polyester; Viton; aluminum anodized
Housing materials		PBT-GF 20; PC (APEC); Makrolon; stainless steel (304S15); Viton
Displays / operating elements		
Display		Display unit 4 x LED green (scfm, inch, °F) Function display 1 x LED yellow Switching status 2 x LED yellow Measured values 4-digit alphanumeric display Programming 4-digit alphanumeric display
Electrical connection		
Connection		M12 connector
Wiring		
		  
Remarks		
Remarks		**) medium flow in the limit area of the flow measurement range scfm = standard cubic feet per minute Measuring, display and setting ranges refer to standard volume flow according to DIN ISO 2533.
Pack quantity	[piece]	1