

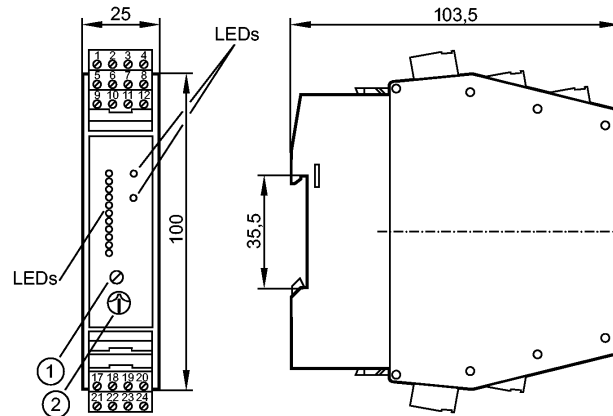
no longer available - archive entry

efector300

U25126



Control monitor



1: Potentiometer (switch point flow)

2: Potentiometer (switch point temperature)

Product characteristics

Control monitor for flow sensors

Mounting on DIN rail

SR0150

with 5 Combicon connectors

Connection: 1 sensor

Application

Application

flow, temperature and wire break monitoring

Electrical data

Electrical design

DC

Operating voltage [V]

24 DC

Voltage tolerance [%]

± 10

Current consumption [mA]

90

Undervoltage monitor

In case of undervoltage all relays are de-energised, the LED "LOW VOLTAGE/WIRE BREAK-RELAY" lights

Protection class

III

Reverse polarity protection

no

Outputs

Output function

Relay

Switching function

- Flow monitoring

relay energised when flow is present and during the power-on delay time

- Temperature monitoring

relay energised when temperature is exceeded

- Wire break monitoring

relay de-energised in case of wire-break or short circuit

Contact rating

4 A (250 V AC / 30 V DC)

Short-circuit proof

no

Overload protection

no

Reaction times

Power-on delay time [s]

10...80 *)

Response time [s]

max. 3

Software / programming

Adjustment of the switch point

potentiometer

Selection liquids / gases

link terminals 23-24 **)

Switch point setting

potentiometer

Temperature range [°C]

0...80

Repeatability switch point / measured value [K]

± 4

Environment

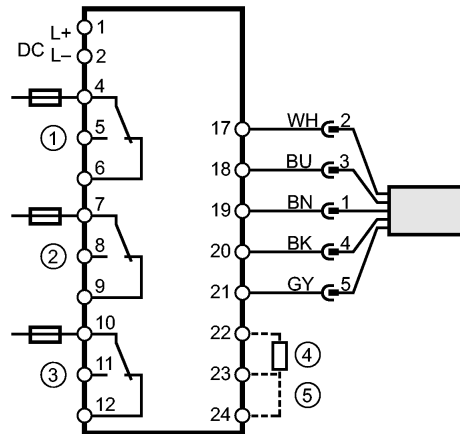
U25126 - Control monitor for flow sensors - eclass: 27279213 / 27-27-92-13

Ambient temperature	[°C]	-20...60
Protection		IP 20
Mechanical data		
Housing materials		PA
Displays / operating elements		
Function display		11 LED
Output status indication	LED	red
Output status indication	LED	red
Electrical connection		
Connection		Combicon connector

Wiring

Core colors

- BN brown
- BU blue
- BK black
- WH white
- GY grey



- 1 = Flow monitoring
 - 2 = Wire break monitoring
 - 3 = Temperature monitoring
 - 4 = Power-on delay time
 - 5 = Selection liquid / gas
- Note: miniature fuse to IEC60127-2 sheet 1, ≤ 5 A (fast acting)

Accessories		
Accessories (included)		5 Combicon connectors with screw terminals
Remarks		
Remarks		*) adjustable (fixed-value resistors terminals 22-23) **) Factory setting: Monitoring of liquids. For monitoring of gases: Link terminals 23 / 24. Recommendation: check the unit for reliable function after a short circuit.
Pack quantity	[piece]	1