

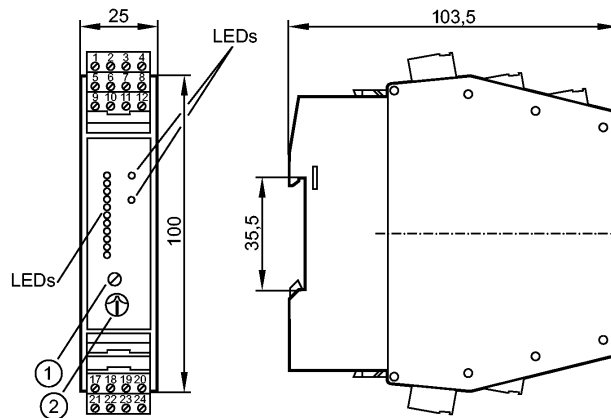
no longer available - archive entry

**efector300**

U25125



Evaluation systems



1: Potentiometer (switch point flow)

2: Potentiometer (switch point temperature)

Product characteristics

Control monitor for flow sensors

Mounting on DIN rail

SN0150

with 5 Combicon connectors

Connection: 1 sensor

Application

Application flow, temperature and wire break monitoring

Electrical data

Electrical design AC

Nominal voltage [V] 90...240 AC (45...65Hz)

Voltage tolerance [%] -5 /+10

Undervoltage monitor In case of undervoltage all relays are de-energised, the LED "LOW VOLTAGE/WIRE BREAK-RELAY" lights

Power consumption [VA] 4

Protection class II

Reverse polarity protection no

Outputs

Output function Relay

**Switching function**

- Flow monitoring relay energised when flow is present and during the power-on delay time

- Temperature monitoring relay energised when temperature is exceeded

- Wire break monitoring relay de-energised in case of wire-break or short circuit

Contact rating 4 A (250 V AC / 30 V DC)

Short-circuit proof no

Overload protection no

Reaction times

Power-on delay time [s] 10...80 \*)

Response time [s] max. 3

Software / programming

Adjustment of the switch point potentiometer

Selection liquids / gases link terminals 23-24 \*\*)

Switch point setting potentiometer

Temperature range [°C] 0...80

Repeatability switch point / measured value [K] ± 4

Environment

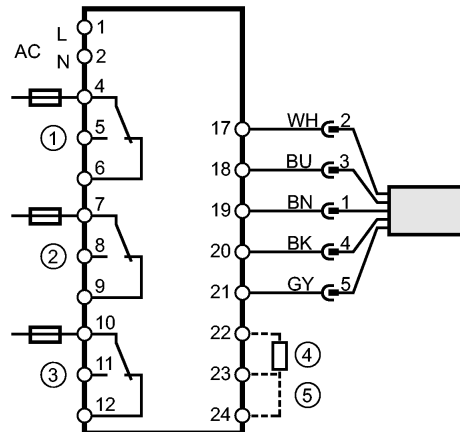
# U25125 - Control monitor for flow sensors - eclass: 27279213 / 27-27-92-13

Ambient temperature	[°C]	-20...60
Protection		IP 20
Mechanical data		
Housing materials		PA
Displays / operating elements		
Function display		11 LED
Output status indication	LED	red
Output status indication	LED	red
Electrical connection		
Connection		Combicon connector

## Wiring

### Core colors

BN	brown
BU	blue
BK	black
WH	white
GY	grey



- 1 = Flow monitoring
  - 2 = Wire break monitoring
  - 3 = Temperature monitoring
  - 4 = Power-on delay time
  - 5 = Selection liquid / gas
- Note: miniature fuse to IEC60127-2 sheet 1,  
≤ 5 A (fast acting)

Accessories	
Accessories (included)	5 Combicon connectors with screw terminals
Remarks	
Remarks	<p>*) adjustable (fixed-value resistors terminals 22-23)</p> <p>**) Factory setting: Monitoring of liquids. For monitoring of gases: Link terminals 23 / 24.</p> <p>Recommendation: check the unit for reliable function after a short circuit.</p>
Pack quantity	[piece] 1