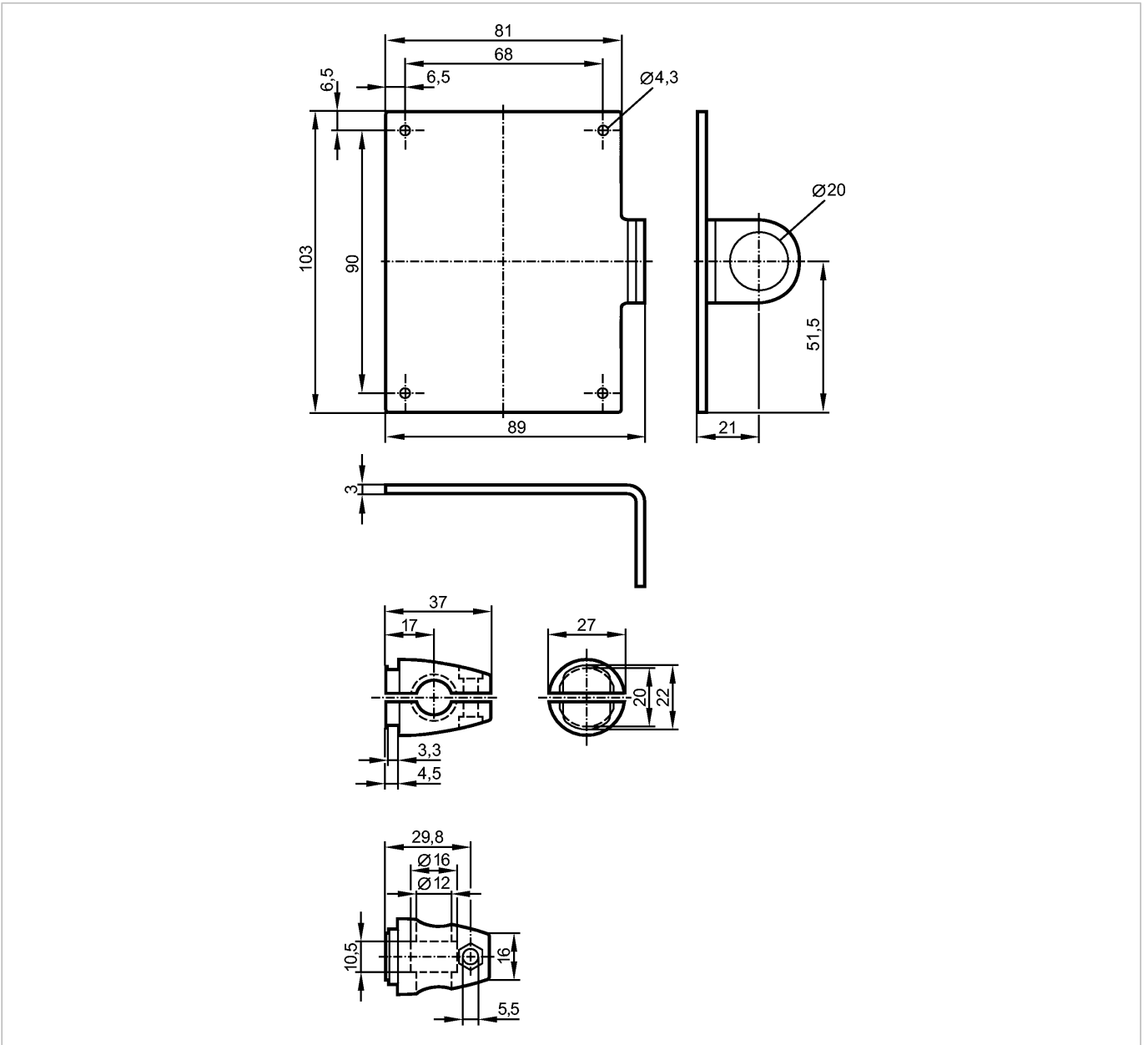


no longer available - archive entry
efector 250[®]
 U20321



Accessories



Product characteristics

Mounting set

Backlight 50 x 50 mm

Clamp mounting

Mechanical data

Housing materials

Mounting plate: stainless steel (303S22); clamp: high-grade stainless steel

Accessories

Accessories (included)

mounting set E20951 (cube for rail mounting); bolt; M10 / 100 mm

Remarks

Pack quantity

[piece]

1

ifm efector, inc. • 1100 Atwater Drive • Malvern • PA 19355 — We reserve the right to make technical alterations without prior notice. — US — U20321 — 05.04.2006

no longer available - archive entry