

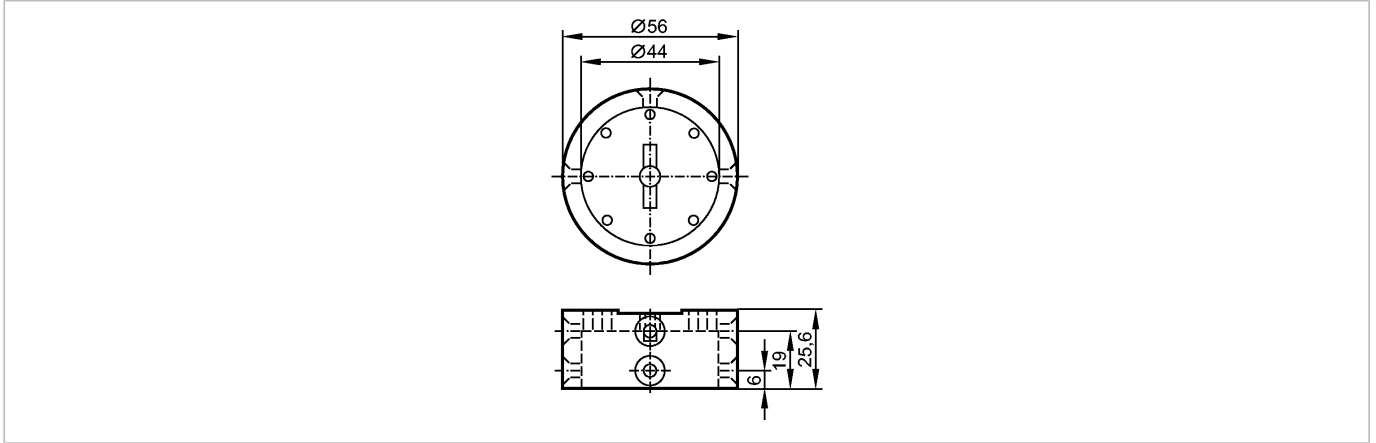
no longer available - archive entry

**efector180**

U20136



Accessories



Product characteristics

Target puck

Ø 56 mm

Mechanical data

Design

for mechanical interfaces to pneumatic actuators or manually-operated valves

Housing materials

Target puck: HDPE

Accessories

Accessories (included)

3 flathead HDPE 10-32 x ¼" screws; 3 flathead SS 10-32 x ¼" screws; 1 flathead SS M6 x 25 mm screw; 2 Flat SS washers; 2 socket head SS screws ½-13 x ¾; 1 hose clamp SS 21-44 mm, stainless steel; 1 Delron XOMOX 450-1250 adapter; 1 IND, SS XOMOX 450 bracket; 2 Panhead SS 10-32 x 1" screws; 1 direction indicator yellow, HDPE

Remarks

Pack quantity

[piece]

1

ifm efector, inc. • 1100 Atwater Drive • Malvern • PA 19355 — We reserve the right to make technical alterations without prior notice. — US — U20136 — 16.01.2006

no longer available - archive entry