

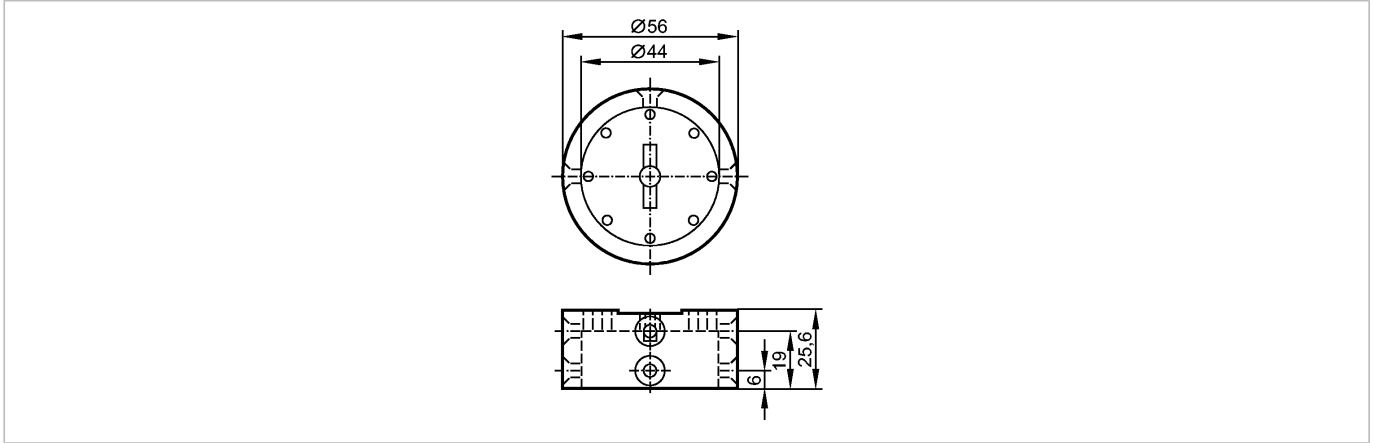
no longer available - archive entry

efector180

U20128



Accessories



Product characteristics

Target puck

Ø 56 mm

Mechanical data

Design

for mechanical interfaces to pneumatic actuators or manually-operated valves

Housing materials

Target puck: HDPE

Accessories

Accessories (included)

3 flathead HDPE screws; 3 flathead SS 10-32 x ¼" screws; 2 Flat SS washers; 2 Panhead SS 10-24 x 1¼" screws; 2 Panhead SS 10-32 x 1¼" screws; 1 Tyco acuator adapter (sm), ⅛" bore; 1 M6 SS screw; 1 direction indicator yellow, HDPE

Remarks

Pack quantity

[piece]

1

ifm efector, inc. • 1100 Atwater Drive • Malvern • PA 19355 — We reserve the right to make technical alterations without prior notice. — US — U20128 — 12.01.2006

no longer available - archive entry