

**MODEL NUMBER**

TXS-R2GFNPM

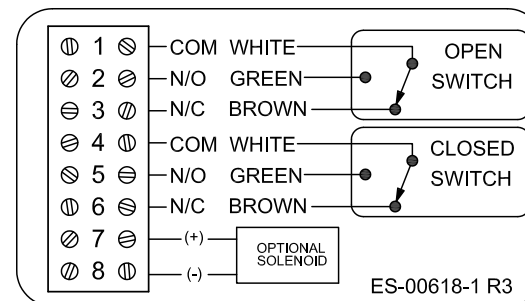
**PRODUCT LINE**

Switchbox TXP and TXS

**SPECIFICATIONS**

Enclosure	316 Stainless Steel
Bus/Sensor	(2) SPDT 200mA max
Area Classification	General Purpose
Visual Display	Flat-top
Shaft	NAMUR
Conduit Entries	(2) 1/2" NPT
O-Rings	Silicone
Pilot	No pilot option
Spool Valve	No spool valve option
Valve Cv	No valve Cv option
Manual Override	No manual override option
Regional Certification	No regional cert option
N Switch	No N Switch

**WIRING DIAGRAM**



**NAMEPLATE**



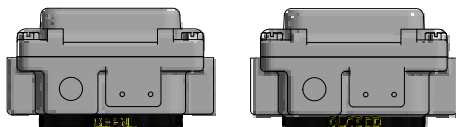
0°C ≤ Ta ≤ 60°C; Type 4X  
IP66/67  
General Purpose  
SWITCH: 30VDC/200mA

USA TopWorx  
3300 Fern Valley Road  
Louisville, KY 40213 USA  
www.topworx.com

Model #:  
Serial #:

OPEN

CLOSED



www.electrosupply.com  
sales@electrosupply.com  
1-800-663-6576