

MODEL NUMBER

TXS-L22GNEM

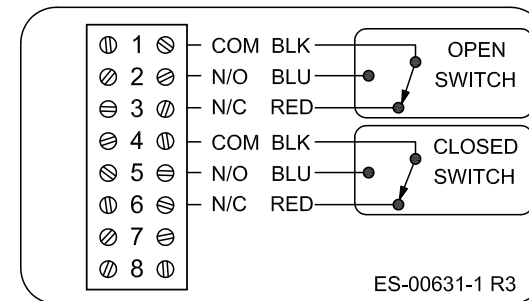
PRODUCT LINE

Switchbox TXP and TXS

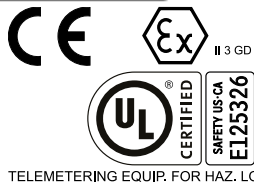
SPECIFICATIONS

Enclosure	316 Stainless Steel
Bus/Sensor	(2) GO Switches SPDT hermetically sealed
Area Classification	Non-incendive
Visual Display	Standard 90° Green OPEN, Red CLOSED
Shaft	NAMUR
Conduit Entries	(2) 3/4" NPT
O-Rings	Silicone
Pilot	No pilot option
Spool Valve	No spool valve option
Valve Cv	No valve Cv option
Manual Override	No manual override option
Regional Certification	No regional cert option
N Switch	No N Switch

WIRING DIAGRAM



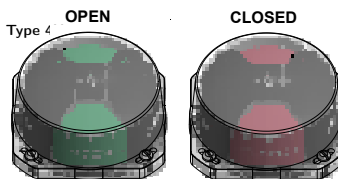
NAMEPLATE



CI I Div 2, Grps A-D; CI II Div 2, Grps F-G; -50°C ≤ Ta ≤ 60°C; Type 4
 Ex nC IIC T6 Gc; -65°C ≤ Ta ≤ 55°C
 Ex tc IIIC T75°C Dc; -50°C ≤ Ta ≤ 55°C; IP66/67
 SWITCH: SPDT 4A/120VAC; 3A/24VDC Hermetically Sealed

TopWorx
 3300 Fern Valley Road
 Louisville, KY 40213 USA
www.topworx.com

Model #:
Serial #:



www.electrosupply.com
sales@electrosupply.com
 1-800-663-6576