

**MODEL NUMBER**

**TXS-E21GLEM**

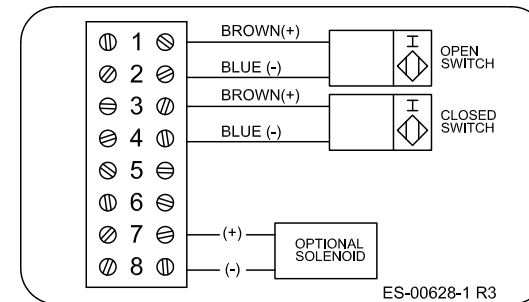
**PRODUCT LINE**

**Switchbox TXP and TXS**

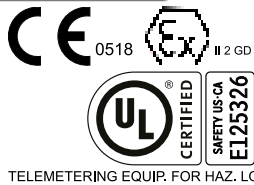
**SPECIFICATIONS**

Enclosure	316 Stainless Steel
Bus/Sensor	(2) p+f NJ2+V3-N inductive NAMUR
Area Classification	Explosion Proof
Visual Display	Standard 90° Green OPEN, Red CLOSED
Shaft	1" Extended Linear Shaft
Conduit Entries	(2) 3/4" NPT
O-Rings	Silicone
Pilot	No pilot option
Spool Valve	No spool valve option
Valve Cv	No valve Cv option
Manual Override	No manual override option
Regional Certification	No regional cert option
N Switch	No N Switch

**WIRING DIAGRAM**



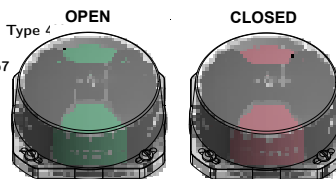
**NAMEPLATE**



CI I Div 1, Grps C-D; CI II Div 1, Grps E-G;  $-50^{\circ}\text{C} \leq \text{Ta} \leq 60^{\circ}\text{C}$ ; Type 4  
 Ex db IIC T6/T4 Gb;  $-65^{\circ}\text{C} \leq \text{Ta} \leq 40^{\circ}\text{C}/80^{\circ}\text{C}$   
 Ex tb IIC T85°C/T135°C Db;  $-50^{\circ}\text{C} \leq \text{Ta} \leq 40^{\circ}\text{C}/80^{\circ}\text{C}$ ; IP66/67  
 Sira 04ATEX1218X IECEX SIR 06.0054X  
 Lead seal required within 18 inches of enclosure  
 SWITCH: 3mA @ 8VDC NAMUR Output

TopWorx  
 3300 Fern Valley Road  
 Louisville, KY 40213 USA  
[www.topworx.com](http://www.topworx.com)

**Model #:**  
**Serial #:**



[www.electrosupply.com](http://www.electrosupply.com)  
[sales@electrosupply.com](mailto:sales@electrosupply.com)  
 1-800-663-6576