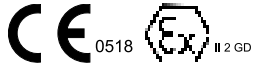
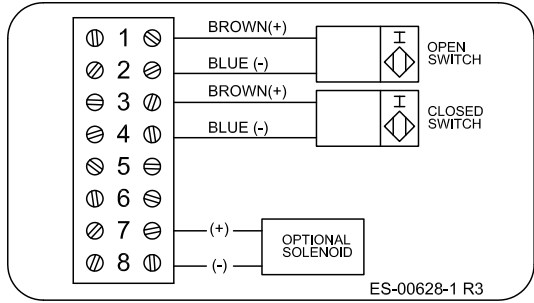
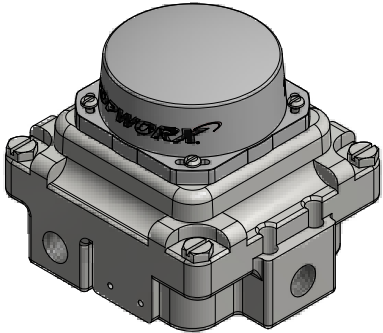
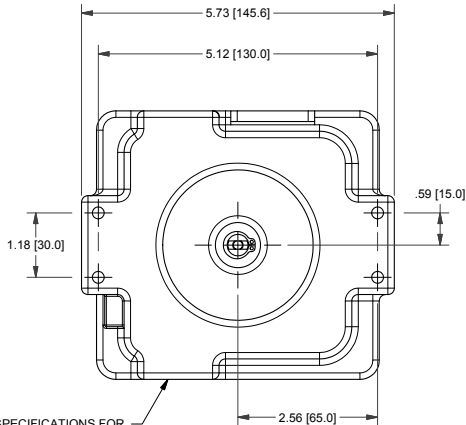
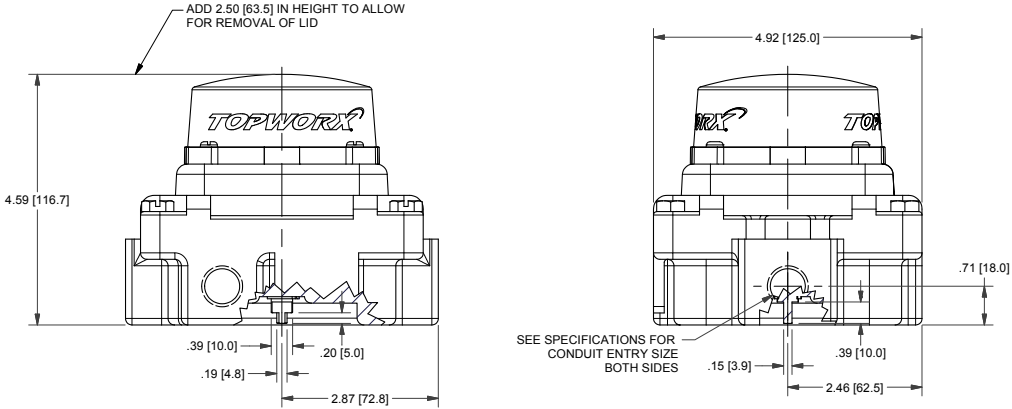


TXS-E20GNPM

Switchbox TXP and TXS

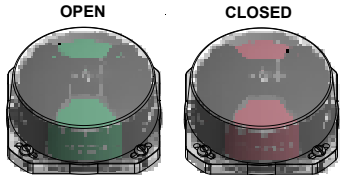
| | |
|------------------------|-------------------------------------|
| Enclosure | 316 Stainless Steel |
| Bus/Sensor | (2) p+f NJ2+V3-N inductive NAMUR |
| Area Classification | Intrinsically safe |
| Visual Display | Standard 90° Green OPEN, Red CLOSED |
| Shaft | NAMUR |
| Conduit Entries | (2) 1/2" NPT |
| O-Rings | Silicone |
| Pilot | No pilot option |
| Spool Valve | No spool valve option |
| Valve Cv | No valve Cv option |
| Manual Override | No manual override option |
| Regional Certification | No regional cert option |
| N Switch | No N Switch |



Ex ia IIC T4 Gb; -60°C ≤ Ta ≤ 56°C
 Ex tb IIIC T75°C Db; -50°C ≤ Ta ≤ 56°C; IP66/67
 Sira 14ATEX2122X IECEx SIR 14.0045X
 Reference Certificate for Entity Parameters

TopWorx
 3300 Fern Valley Road
 Louisville, KY 40213 USA
 www.topworx.com

Model #:
 Serial #:



Electrol
www.electrosupply.com
sales@electrosupply.com
 1-800-663-6576