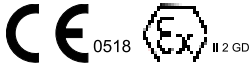
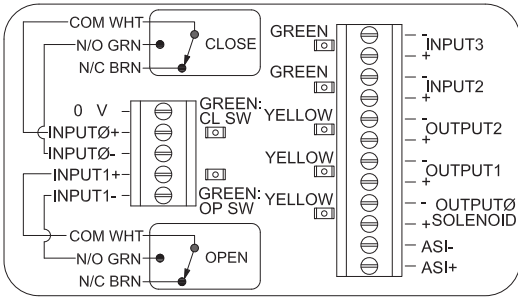
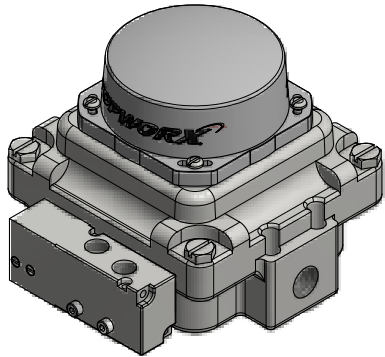
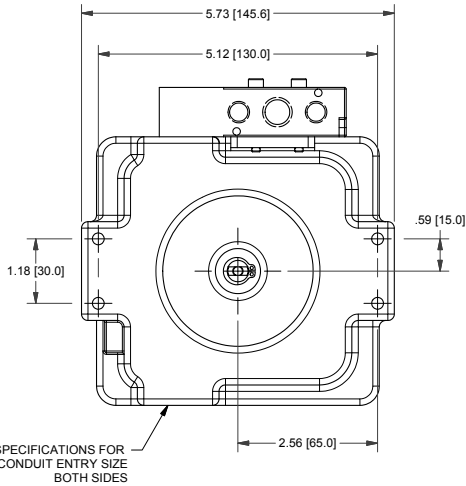
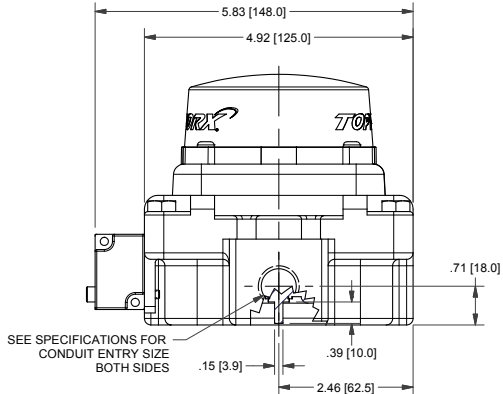
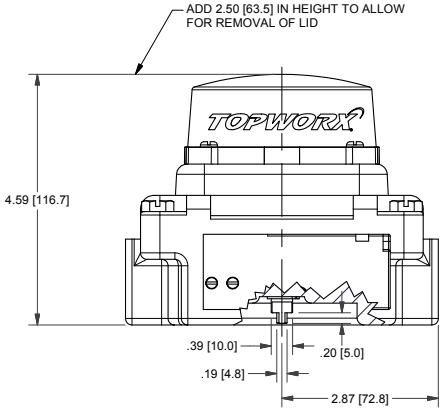


TXS-AS1GNMM161

Switchbox TXP and TXS

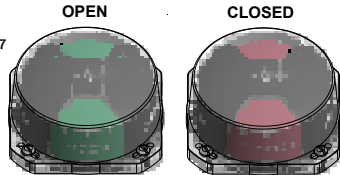
Enclosure	316 Stainless Steel
Bus/Sensor	AS-interface
Area Classification	Explosion Proof
Visual Display	Standard 90° Green OPEN, Red CLOSED
Shaft	NAMUR
Conduit Entries	(2) M20
O-Rings	Silicone
Pilot	(1) 24Vdc pilot fail open/closed
Spool Valve	316 Stainless Steel
Valve Cv	1.0 Cv (1/4" NPT Ports)
Manual Override	No manual override option
Regional Certification	No regional cert option
N Switch	No N Switch



Ex db IIB T6/T4 Gb; -65°C ≤ Ta ≤ 40°C/80°C
 Ex tb IIIC T85°C/T135°C Db; -50°C ≤ Ta ≤ 40°C/80°C; IP66/67
 Sira 04ATEX1218X IECEx SIR 06.0054X
 Lead seal required within 18 inches of enclosure
 BUS: 200mA @ MAX ASI Voltage 31.6VDC
 PILOT: 24 VDC

TopWorx
 3300 Fern Valley Road
 Louisville, KY 40213 USA
 www.topworx.com

Model #:
 Serial #:



Electrol
www.electrosupply.com
sales@electrosupply.com
 1-800-663-6576