

MODEL NUMBER

TXP-T21FLPM0000R

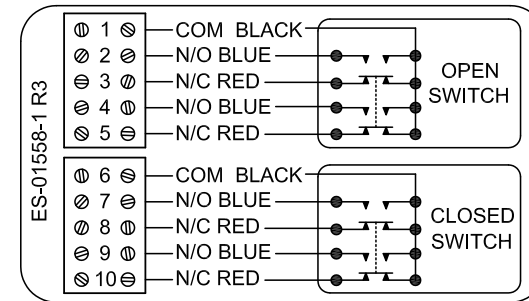
PRODUCT LINE

Switchbox TXP and TXS

SPECIFICATIONS

Enclosure	Tropicalized Aluminum
Bus/Sensor	(2) Mech DPDT
Area Classification	Explosion Proof
Visual Display	Flat-top
Shaft	1" Extended Linear Shaft
Conduit Entries	(2) 1/2" NPT
O-Rings	Silicone
Pilot	No pilot option
Spool Valve	No spool valve option
Valve Cv	No valve Cv option
Manual Override	No manual override option
Regional Certification	EAC
N Switch	No N Switch

WIRING DIAGRAM



NAMEPLATE



1 Ex d IIB T4 Gb; -60°C ≤ Ta ≤ 80°C
 Ex tb IIIC T135°C Db; -50°C ≤ Ta ≤ 85°C; IP66/67
 TC RU C-US, F608.B.02500
 SWITCH: DPDT 8A, 250VAC

TopWorx
 3300 Fern Valley Road
 Louisville, KY 40213 USA
 www.topworx.com

Model #:
Serial #:



www.electrosupply.com
 sales@electrosupply.com
 1-800-663-6576