

MODEL NUMBER

TXP-PBWGNPM1A1

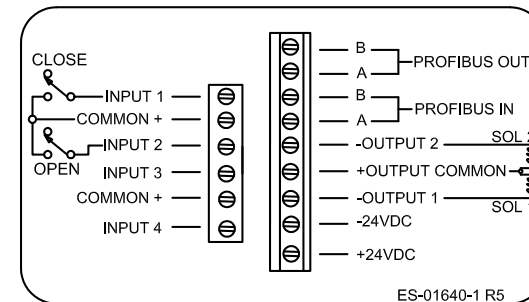
PRODUCT LINE

Switchbox TXP and TXS

SPECIFICATIONS

Enclosure	Tropicalized Aluminum
Bus/Sensor	Profibus DP
Area Classification	No approvals
Visual Display	Standard 90° Green OPEN, Red CLOSED
Shaft	NAMUR
Conduit Entries	(2) 1/2" NPT
O-Rings	Silicone
Pilot	(1) 24Vdc pilot fail open/closed
Spool Valve	Aluminum Hard Coated anodized
Valve Cv	1.0 Cv (1/4" NPT Ports)
Manual Override	No manual override option
Regional Certification	No regional cert option
N Switch	No N Switch

WIRING DIAGRAM



NAMEPLATE

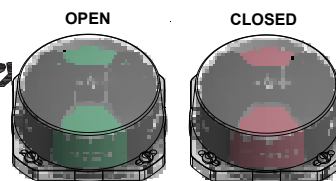


Type 4X
IP66/68

TopWorx
3300 Fern Valley Road
Louisville, KY 40213 USA
www.topworx.com



Model #:
Serial #:



www.electrosupply.com
sales@electrosupply.com
1-800-663-6576