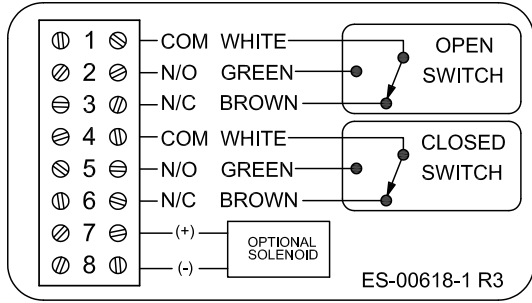
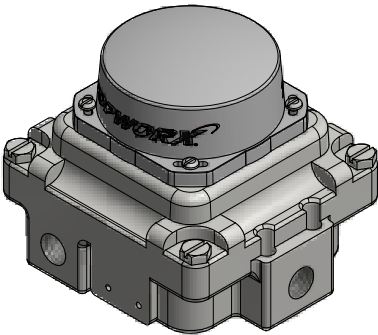
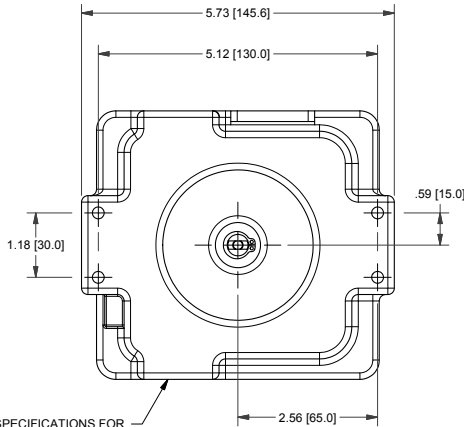
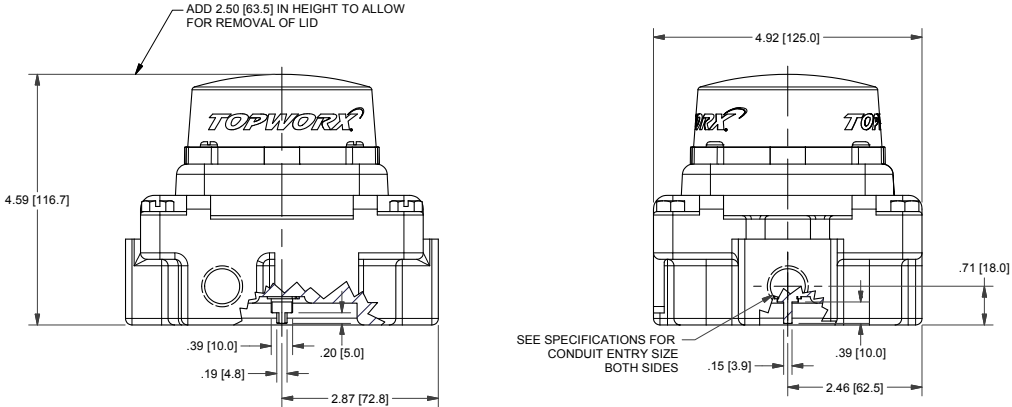


TXP-P21BNLM0000B

Switchbox TXP and TXS

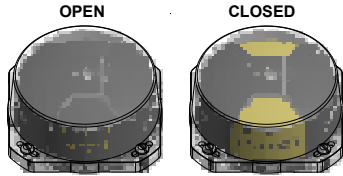
| | |
|------------------------|-------------------------------|
| Enclosure | Tropicalized Aluminum |
| Bus/Sensor | (2) SPDT 3A max |
| Area Classification | Explosion Proof |
| Visual Display | 90° Black OPEN, Yellow CLOSED |
| Shaft | NAMUR |
| Conduit Entries | (3) 1/2" |
| O-Rings | Silicone |
| Pilot | No pilot option |
| Spool Valve | No spool valve option |
| Valve Cv | No valve Cv option |
| Manual Override | No manual override option |
| Regional Certification | InMetro |
| N Switch | No N Switch |



Ex d IIC T4 Gb; -60°C ≤ Ta ≤ 80°C
 Ex tb IIIC T135°C Db; -60°C ≤ Ta ≤ 80°C; IP66/67
 NCC 15.0272X
 SWITCH: 33.3VDC, 3A MAX

TopWorx
 3300 Fern Valley Road
 Louisville, KY 40213 USA
 www.topworx.com

Model #:
 Serial #:



Electrol
www.electrosupply.com
sales@electrosupply.com
 1-800-663-6576