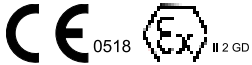
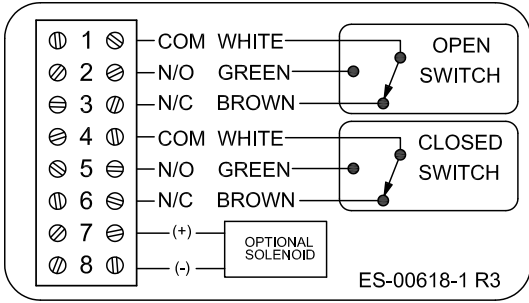
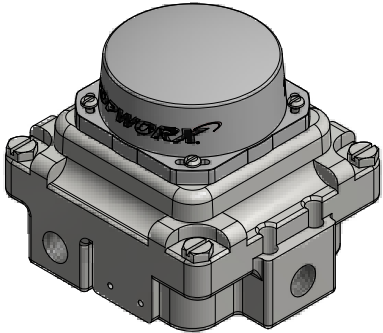
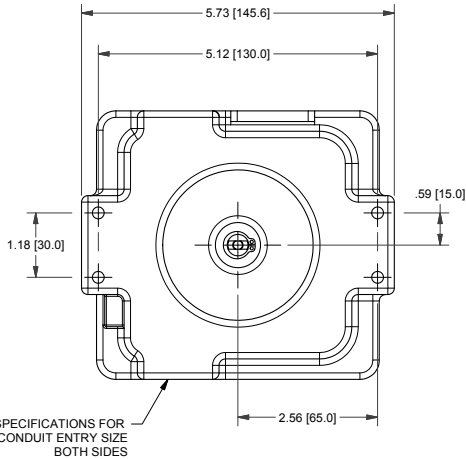
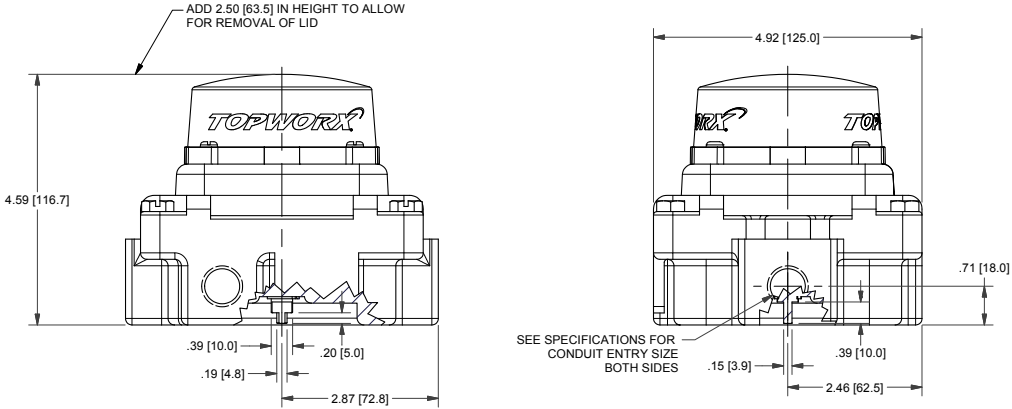


TXP-P20JNPM

Switchbox TXP and TXS

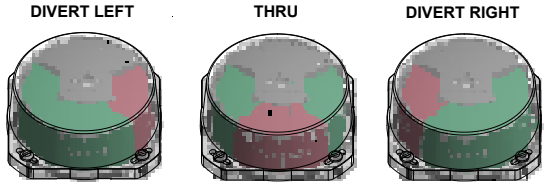
Enclosure	Tropicalized Aluminum
Bus/Sensor	(2) SPDT 3A max
Area Classification	Intrinsically safe
Visual Display	3 Way T Port, Green/Red
Shaft	NAMUR
Conduit Entries	(2) 1/2" NPT
O-Rings	Silicone
Pilot	No pilot option
Spool Valve	No spool valve option
Valve Cv	No valve Cv option
Manual Override	No manual override option
Regional Certification	No regional cert option
N Switch	No N Switch



Ex ia IIC T6 Gb; -65°C ≤ Ta ≤ 55°C
 Ex tb IIIC T75°C Db; -50°C ≤ Ta ≤ 55°C; IP66/67
 Sira 14ATEX2122X IECEx SIR 14.0045X
 SWITCH: Ui=30V, Ii=200mA, Pi=0.34W

TopWorx
 3300 Fern Valley Road
 Louisville, KY 40213 USA
 www.topworx.com

Model #:
 Serial #:



Electrol
www.electrosupply.com
sales@electrosupply.com
 1-800-663-6576