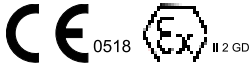
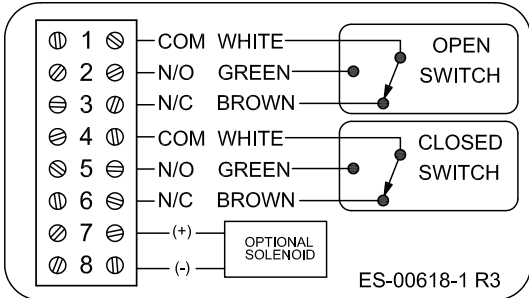
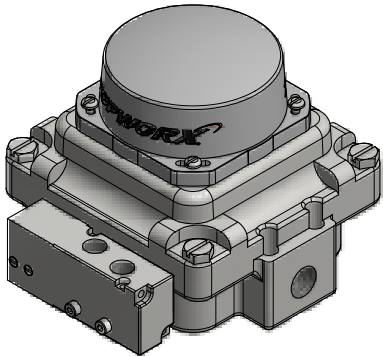
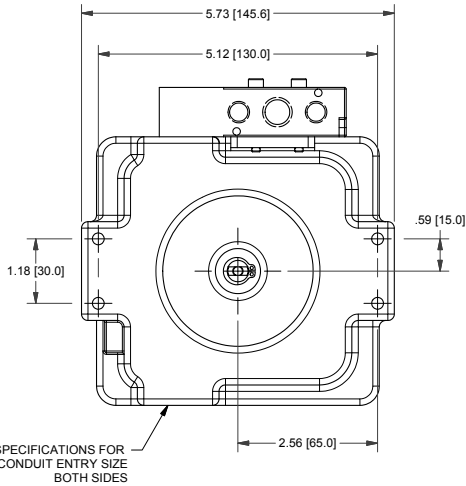
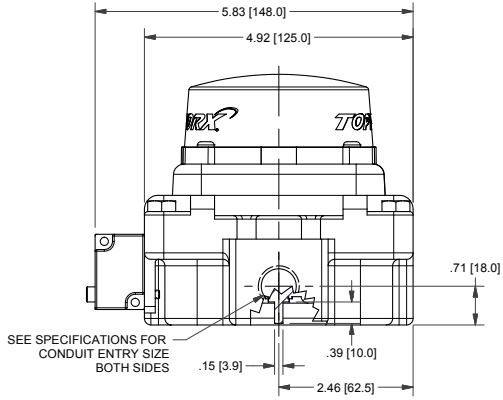
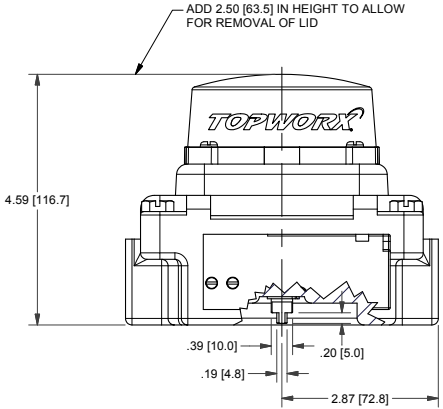


TXP-P20GNPM1A1

Switchbox TXP and TXS

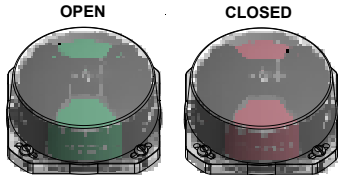
Enclosure	Tropicalized Aluminum
Bus/Sensor	(2) SPDT 3A max
Area Classification	Intrinsically safe
Visual Display	Standard 90° Green OPEN, Red CLOSED
Shaft	NAMUR
Conduit Entries	(2) 1/2" NPT
O-Rings	Silicone
Pilot	(1) 24Vdc pilot fail open/closed
Spool Valve	Aluminum Hard Coated anodized
Valve Cv	1.0 Cv (1/4" NPT Ports)
Manual Override	No manual override option
Regional Certification	No regional cert option
N Switch	No N Switch



Ex ia IIC T4 Gb; -40°C ≤ Ta ≤ 55°C
 Ex tb IIIC T75°C Db; -40°C ≤ Ta ≤ 55°C; IP66/67
 Sira 14ATEX2122X IECEx SIR 14.0045X
 SWITCH: Ui=30V, Ii=200mA, Pi=0.72W
 PILOT: Ui=28V, Ii=300mA, Pi=1.6W, Ci=0nF, Li=0mH

TopWorx
 3300 Fern Valley Road
 Louisville, KY 40213 USA
 www.topworx.com

Model #:
 Serial #:



Electrol
www.electrosupply.com
sales@electrosupply.com
 1-800-663-6576