

MODEL NUMBER

TXP-M4CFNEM

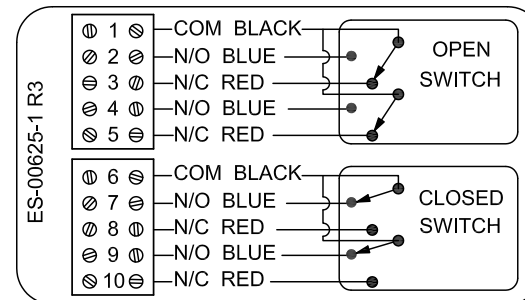
PRODUCT LINE

Switchbox TXP and TXS

SPECIFICATIONS

Enclosure	Tropicalized Aluminum
Bus/Sensor	(4) Mech SPDT
Area Classification	Flame Proof
Visual Display	Flat-top
Shaft	NAMUR
Conduit Entries	(2) 3/4" NPT
O-Rings	Silicone
Pilot	No pilot option
Spool Valve	No spool valve option
Valve Cv	No valve Cv option
Manual Override	No manual override option
Regional Certification	No regional cert option
N Switch	No N Switch

WIRING DIAGRAM



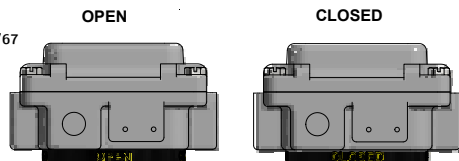
NAMEPLATE



Ex db IIC T6/T4 Gb; -65°C ≤ Ta ≤ 40°C/80°C
 Ex tb IIIC T85°C/T135°C Db; -50°C ≤ Ta ≤ 40°C/80°C; IP66/67
 Sira 04ATEX1218X IECEx SIR 06.0054X
 SWITCH: SPDT 10A/250VAC; 3A/24VDC

TopWorx
 3300 Fern Valley Road
 Louisville, KY 40213 USA
 www.topworx.com

Model #:
 Serial #:



www.electrosupply.com
 sales@electrosupply.com
 1-800-663-6576