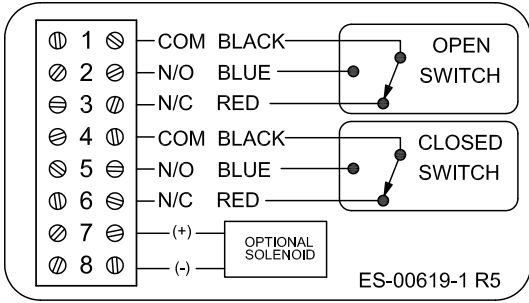
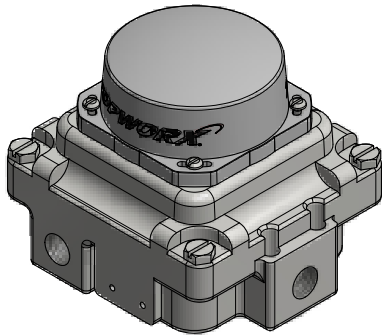
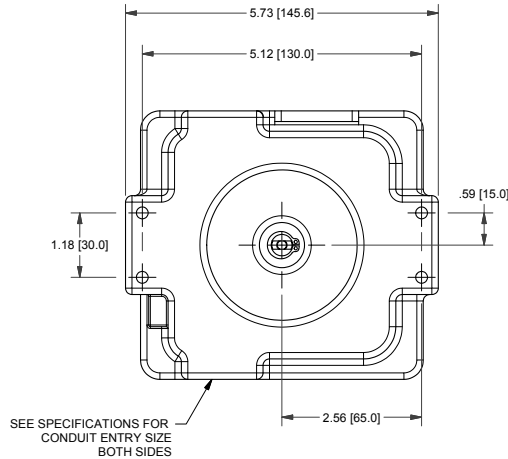
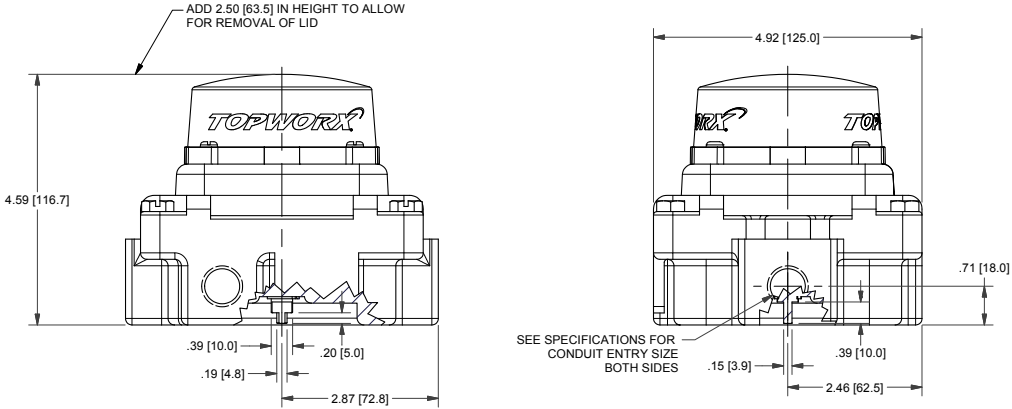


TXP-M2CGNPM0000B

Switchbox TXP and TXS

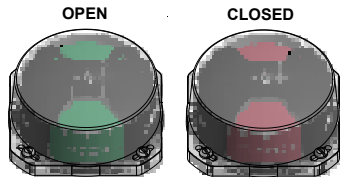
Enclosure	Tropicalized Aluminum
Bus/Sensor	(2) Mech SPDT
Area Classification	Flame Proof
Visual Display	Standard 90° Green OPEN, Red CLOSED
Shaft	NAMUR
Conduit Entries	(2) 1/2" NPT
O-Rings	Silicone
Pilot	No pilot option
Spool Valve	No spool valve option
Valve Cv	No valve Cv option
Manual Override	No manual override option
Regional Certification	InMetro
N Switch	No N Switch



Ex d IIC T4 Gb; -60°C ≤ Ta ≤ 80°C  
 Ex tb IIIC T135°C Db; -60°C ≤ Ta ≤ 80°C; IP66/67  
 NCC 15.0272X  
 SWITCH: SPDT 10A/250VAC; 3A/24VDC

TopWorx  
 3300 Fern Valley Road  
 Louisville, KY 40213 USA  
 www.topworx.com

Model #:  
 Serial #:



**Electrol**  
[www.electrosupply.com](http://www.electrosupply.com)  
[sales@electrosupply.com](mailto:sales@electrosupply.com)  
 1-800-663-6576