



MODEL NUMBER

TXP-L2GGNMM

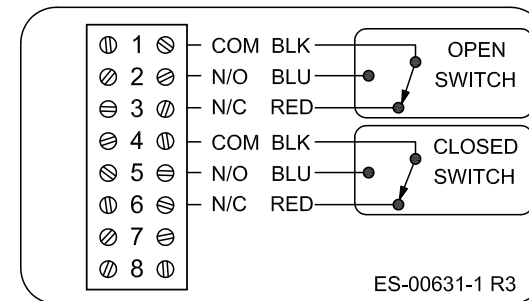
PRODUCT LINE

Switchbox TXP and TXS

SPECIFICATIONS

Enclosure	Tropicalized Aluminum
Bus/Sensor	(2) GO Switches SPDT hermetically sealed
Area Classification	General Purpose
Visual Display	Standard 90° Green OPEN, Red CLOSED
Shaft	NAMUR
Conduit Entries	(2) M20
O-Rings	Silicone
Pilot	No pilot option
Spool Valve	No spool valve option
Valve Cv	No valve Cv option
Manual Override	No manual override option
Regional Certification	No regional cert option
N Switch	No N Switch

WIRING DIAGRAM



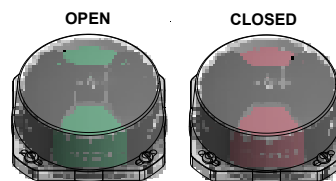
NAMEPLATE



0°C ≤ Ta ≤ 60°C; Type 4X
 IP66/67
 General Purpose
 SWITCH: SPDT 4A/120VAC; 3A/24VDC Hermetically Sealed

TopWorx
 3300 Fern Valley Road
 Louisville, KY 40213 USA
 www.topworx.com

Model #:
Serial #:



www.electrosupply.com
 sales@electrosupply.com
 1-800-663-6576