



MODEL NUMBER

TXP-L2CGNPM0000B

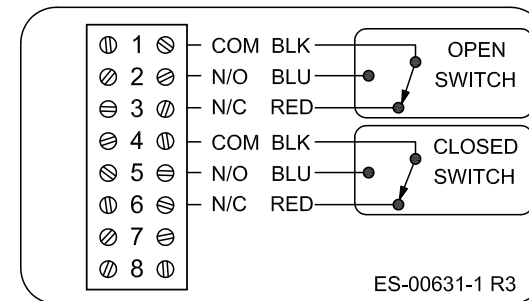
PRODUCT LINE

Switchbox TXP and TXS

SPECIFICATIONS

Enclosure	Tropicalized Aluminum
Bus/Sensor	(2) GO Switches SPDT hermetically sealed
Area Classification	Flame Proof
Visual Display	Standard 90° Green OPEN, Red CLOSED
Shaft	NAMUR
Conduit Entries	(2) 1/2" NPT
O-Rings	Silicone
Pilot	No pilot option
Spool Valve	No spool valve option
Valve Cv	No valve Cv option
Manual Override	No manual override option
Regional Certification	InMetro
N Switch	No N Switch

WIRING DIAGRAM



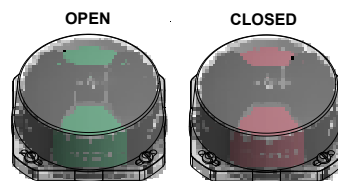
NAMEPLATE



Ex d IIC T4 Gb; -60°C ≤ Ta ≤ 80°C
 Ex tb IIIC T135°C Db; -60°C ≤ Ta ≤ 80°C; IP66/67
 NCC 15.0272X
 SWITCH: SPDT 4A/120VAC; 3A/24VDC Hermetically Sealed

TopWorx
 3300 Fern Valley Road
 Louisville, KY 40213 USA
 www.topworx.com

Model #:
Serial #:



www.electrosupply.com
 sales@electrosupply.com
 1-800-663-6576