

**MODEL NUMBER**

TXP-L2CFNMM

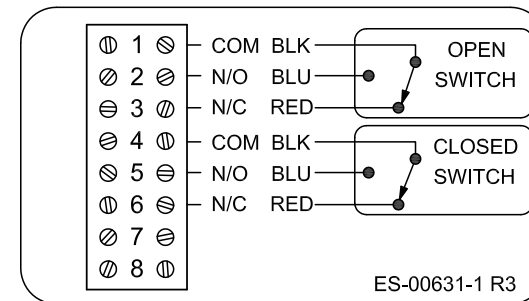
**PRODUCT LINE**

Switchbox TXP and TXS

**SPECIFICATIONS**

Enclosure	Tropicalized Aluminum
Bus/Sensor	(2) GO Switches SPDT hermetically sealed
Area Classification	Flame Proof
Visual Display	Flat-top
Shaft	NAMUR
Conduit Entries	(2) M20
O-Rings	Silicone
Pilot	No pilot option
Spool Valve	No spool valve option
Valve Cv	No valve Cv option
Manual Override	No manual override option
Regional Certification	No regional cert option
N Switch	No N Switch

**WIRING DIAGRAM**



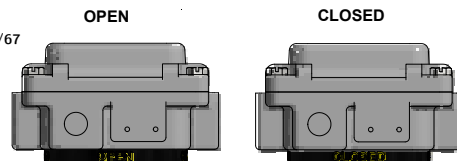
**NAMEPLATE**



Ex db IIC T6/T4 Gb; -65°C ≤ Ta ≤ 40°C/80°C  
 Ex tb IIIC T85°C/T135°C Db; -50°C ≤ Ta ≤ 40°C/80°C; IP66/67  
 Sira 04ATEX1218X IECEx SIR 06.0054X  
 SWITCH: SPDT 4A/120VAC; 3A/24VDC Hermetically Sealed

TopWorx  
 3300 Fern Valley Road  
 Louisville, KY 40213 USA  
 www.topworx.com

**Model #:**  
**Serial #:**



www.electrosupply.com  
 sales@electrosupply.com  
 1-800-663-6576