



**MODEL NUMBER**

TXP-L22GNMM

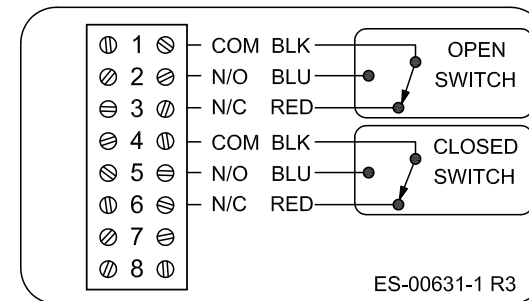
**PRODUCT LINE**

Switchbox TXP and TXS

**SPECIFICATIONS**

Enclosure	Tropicalized Aluminum
Bus/Sensor	(2) GO Switches SPDT hermetically sealed
Area Classification	Non-incendive
Visual Display	Standard 90° Green OPEN, Red CLOSED
Shaft	NAMUR
Conduit Entries	(2) M20
O-Rings	Silicone
Pilot	No pilot option
Spool Valve	No spool valve option
Valve Cv	No valve Cv option
Manual Override	No manual override option
Regional Certification	No regional cert option
N Switch	No N Switch

**WIRING DIAGRAM**



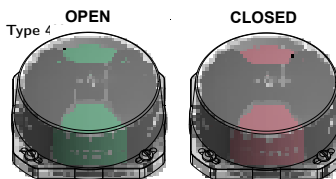
**NAMEPLATE**



CI I Div 2, Grps A-D; CI II Div 2, Grps F-G; -50°C ≤ Ta ≤ 60°C; Type 4  
 Ex nC IIC T6 Gc; -65°C ≤ Ta ≤ 55°C  
 Ex tc IIIC T75°C Dc; -50°C ≤ Ta ≤ 55°C; IP66/67  
 SWITCH: SPDT 4A/120VAC; 3A/24VDC Hermetically Sealed

TopWorx  
 3300 Fern Valley Road  
 Louisville, KY 40213 USA  
[www.topworx.com](http://www.topworx.com)

**Model #:**  
**Serial #:**



[www.electrosupply.com](http://www.electrosupply.com)  
[sales@electrosupply.com](mailto:sales@electrosupply.com)  
 1-800-663-6576