

MODEL NUMBER

TXP-L22GLPM

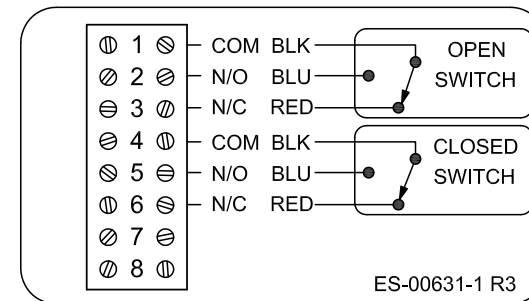
PRODUCT LINE

Switchbox TXP and TXS

SPECIFICATIONS

Enclosure	Tropicalized Aluminum
Bus/Sensor	(2) GO Switches SPDT hermetically sealed
Area Classification	Non-incendive
Visual Display	Standard 90° Green OPEN, Red CLOSED
Shaft	1" Extended Linear Shaft
Conduit Entries	(2) 1/2" NPT
O-Rings	Silicone
Pilot	No pilot option
Spool Valve	No spool valve option
Valve Cv	No valve Cv option
Manual Override	No manual override option
Regional Certification	No regional cert option
N Switch	No N Switch

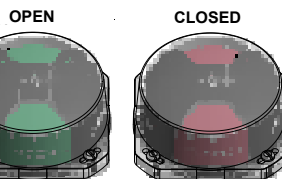
WIRING DIAGRAM



NAMEPLATE



CI I Div 2, Grps A-D; CI II Div 2, Grps F-G; -50°C ≤ Ta ≤ 60°C; Type 4
 Ex nC IIC T6 Gc; -65°C ≤ Ta ≤ 55°C
 Ex tc IIIC T75°C Dc; -50°C ≤ Ta ≤ 55°C; IP66/67
 SWITCH: SPDT 4A/120VAC; 3A/24VDC Hermetically Sealed



Model #:
Serial #:

TELEMETERING EQUIP. FOR HAZ. LOC.

TopWorx
 3300 Fern Valley Road
 Louisville, KY 40213 USA
 www.topworx.com



www.electrosupply.com
 sales@electrosupply.com
 1-800-663-6576