

MODEL NUMBER

TXP-L22GLEM

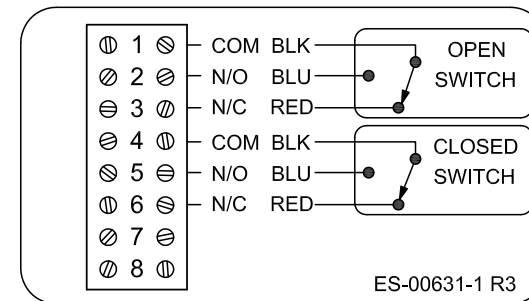
PRODUCT LINE

Switchbox TXP and TXS

SPECIFICATIONS

Enclosure	Tropicalized Aluminum
Bus/Sensor	(2) GO Switches SPDT hermetically sealed
Area Classification	Non-incendive
Visual Display	Standard 90° Green OPEN, Red CLOSED
Shaft	1" Extended Linear Shaft
Conduit Entries	(2) 3/4" NPT
O-Rings	Silicone
Pilot	No pilot option
Spool Valve	No spool valve option
Valve Cv	No valve Cv option
Manual Override	No manual override option
Regional Certification	No regional cert option
N Switch	No N Switch

WIRING DIAGRAM



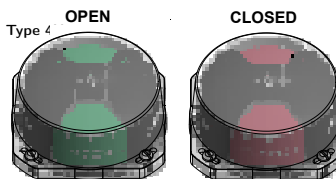
NAMEPLATE



CI I Div 2, Grps A-D; CI II Div 2, Grps F-G; $-50^{\circ}\text{C} \leq \text{Ta} \leq 60^{\circ}\text{C}$; Type 4
 Ex nC IIC T6 Gc; $-65^{\circ}\text{C} \leq \text{Ta} \leq 55^{\circ}\text{C}$
 Ex tc IIIC T75°C Dc; $-50^{\circ}\text{C} \leq \text{Ta} \leq 55^{\circ}\text{C}$; IP66/67
 SWITCH: SPDT 4A/120VAC; 3A/24VDC Hermetically Sealed

TopWorx
 3300 Fern Valley Road
 Louisville, KY 40213 USA
www.topworx.com

Model #:
Serial #:



www.electrosupply.com
sales@electrosupply.com
 1-800-663-6576