

MODEL NUMBER

TXP-E2CFLPM

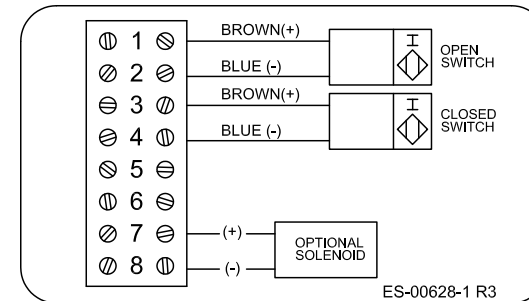
PRODUCT LINE

Switchbox TXP and TXS

SPECIFICATIONS

Enclosure	Tropicalized Aluminum
Bus/Sensor	(2) p+f NJ2+V3-N inductive NAMUR
Area Classification	Flame Proof
Visual Display	Flat-top
Shaft	1" Extended Linear Shaft
Conduit Entries	(2) 1/2" NPT
O-Rings	Silicone
Pilot	No pilot option
Spool Valve	No spool valve option
Valve Cv	No valve Cv option
Manual Override	No manual override option
Regional Certification	No regional cert option
N Switch	No N Switch

WIRING DIAGRAM



NAMEPLATE



Ex db IIC T6/T4 Gb; -65°C ≤ Ta ≤ 40°C/80°C  
 Ex tb IIIC T85°C/T135°C Db; -50°C ≤ Ta ≤ 40°C/80°C; IP66/67  
 Sira 04ATEX1218X IECEx SIR 06.0054X  
 SWITCH: 3mA @ 8VDC NAMUR Output

TopWorx  
 3300 Fern Valley Road  
 Louisville, KY 40213 USA  
 www.topworx.com

Model #:  
 Serial #:



www.electrosupply.com  
 sales@electrosupply.com  
 1-800-663-6576