

**MODEL NUMBER**

TXP-E22GNPM1A1

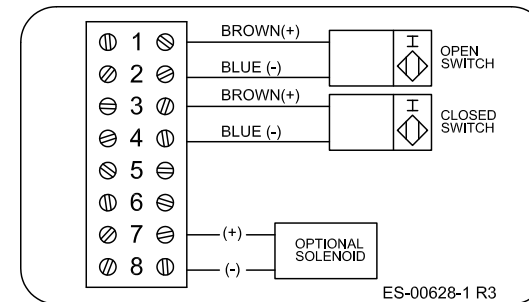
**PRODUCT LINE**

Switchbox TXP and TXS

**SPECIFICATIONS**

Enclosure	Tropicalized Aluminum
Bus/Sensor	(2) p+f NJ2+V3-N inductive NAMUR
Area Classification	Non-incendive
Visual Display	Standard 90° Green OPEN, Red CLOSED
Shaft	NAMUR
Conduit Entries	(2) 1/2" NPT
O-Rings	Silicone
Pilot	(1) 24Vdc pilot fail open/closed
Spool Valve	Aluminum Hard Coated anodized
Valve Cv	1.0 Cv (1/4" NPT Ports)
Manual Override	No manual override option
Regional Certification	No regional cert option
N Switch	No N Switch

**WIRING DIAGRAM**



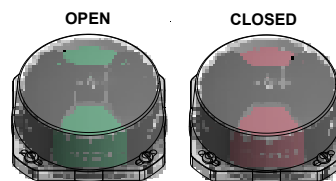
**NAMEPLATE**



Ex nA IIC T4 Gc; -40°C ≤ Ta ≤ 56°C  
 Ex tc IIIC T75°C Dc; -40°C ≤ Ta ≤ 56°C; IP66/67  
 SWITCH: 3mA @ 8VDC NAMUR Output  
 PILOT: 24 VDC

TopWorx  
 3300 Fern Valley Road  
 Louisville, KY 40213 USA  
 www.topworx.com

**Model #:**  
**Serial #:**



www.electrosupply.com  
 sales@electrosupply.com  
 1-800-663-6576