

MODEL NUMBER

TXP-E22GNPM

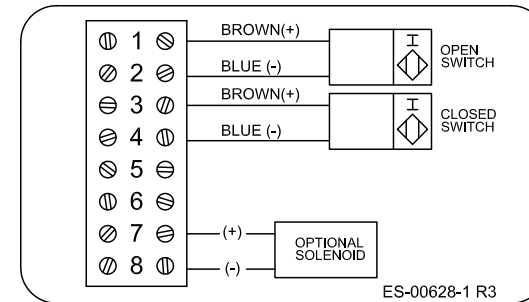
PRODUCT LINE

Switchbox TXP and TXS

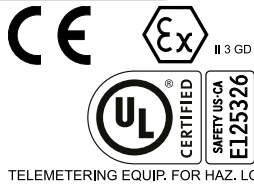
SPECIFICATIONS

Enclosure	Tropicalized Aluminum
Bus/Sensor	(2) p+f NJ2+V3-N inductive NAMUR
Area Classification	Non-incendive
Visual Display	Standard 90° Green OPEN, Red CLOSED
Shaft	NAMUR
Conduit Entries	(2) 1/2" NPT
O-Rings	Silicone
Pilot	No pilot option
Spool Valve	No spool valve option
Valve Cv	No valve Cv option
Manual Override	No manual override option
Regional Certification	No regional cert option
N Switch	No N Switch

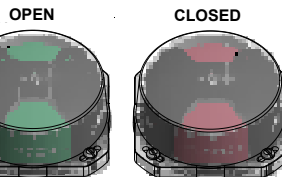
WIRING DIAGRAM



NAMEPLATE



CI I Div 2, Grps A-D; CI II Div 2, Grps F-G; -50°C ≤ Ta ≤ 60°C; Type 4
 Ex nA IIC T4 Gc; -60°C ≤ Ta ≤ 56°C
 Ex tc IIIC T75°C Dc; -50°C ≤ Ta ≤ 56°C; IP66/67
 SWITCH: 3mA @ 8VDC NAMUR Output



Model #:
Serial #:

TopWorx
3300 Fern Valley Road
Louisville, KY 40213 USA
www.topworx.com



www.electrosupply.com
sales@electrosupply.com
1-800-663-6576