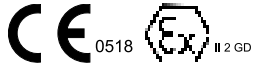
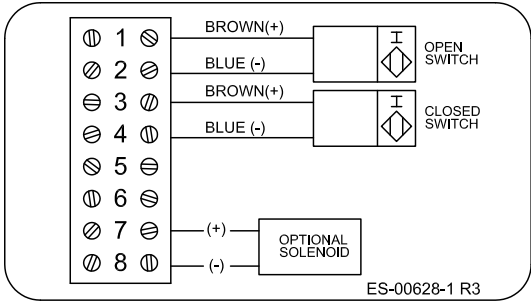
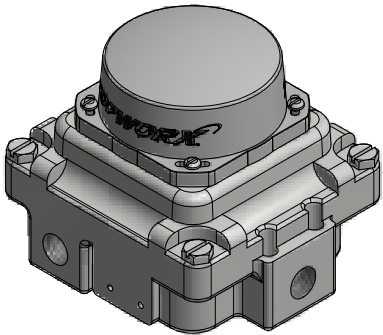
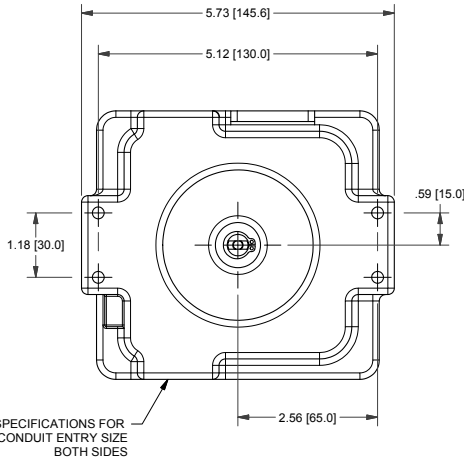
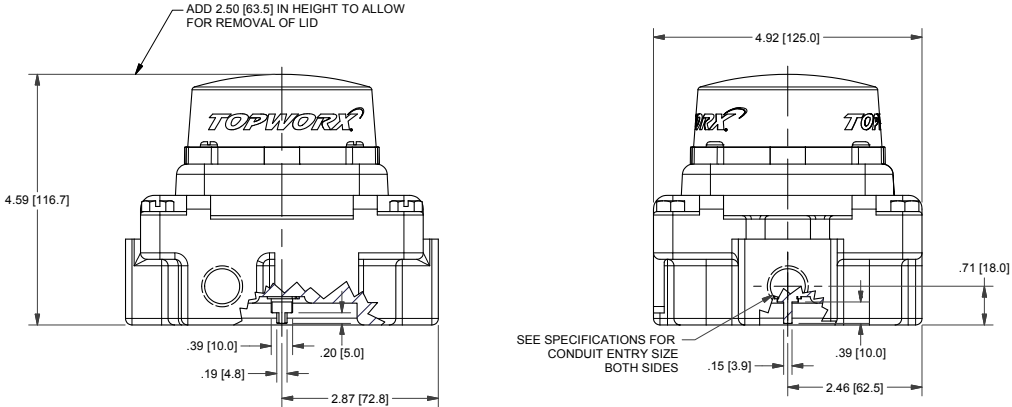


TXP-E20GNMM

Switchbox TXP and TXS

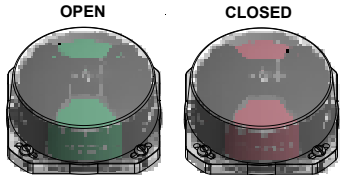
Enclosure	Tropicalized Aluminum
Bus/Sensor	(2) p+f NJ2+V3-N inductive NAMUR
Area Classification	Intrinsically safe
Visual Display	Standard 90° Green OPEN, Red CLOSED
Shaft	NAMUR
Conduit Entries	(2) M20
O-Rings	Silicone
Pilot	No pilot option
Spool Valve	No spool valve option
Valve Cv	No valve Cv option
Manual Override	No manual override option
Regional Certification	No regional cert option
N Switch	No N Switch



Ex ia IIC T4 Gb; -60°C ≤ Ta ≤ 56°C  
 Ex tb IIIC T75°C Db; -50°C ≤ Ta ≤ 56°C; IP66/67  
 Sira 14ATEX2122X IECEx SIR 14.0045X  
 Reference Certificate for Entity Parameters

TopWorx  
 3300 Fern Valley Road  
 Louisville, KY 40213 USA  
 www.topworx.com

Model #:  
 Serial #:



**Electrol**  
 www.electrosupply.com  
 sales@electrosupply.com  
 1-800-663-6576